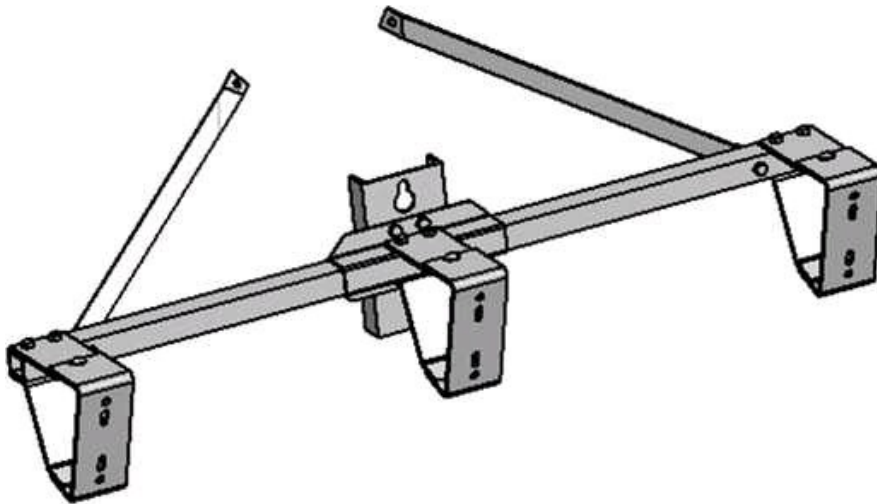


BA3CS

by CMC

Catalog ID: BA3CS



Distribution 3 phase bracket for mounting 3 solid blade disconnect switches or fused disconnects, Straight cross-tube allows mounting back to back

- Made with high strength 6061-T6 aluminum alloy
- Ground lugs supplied (standard)
- Switch mounting faces adjustable to 20 degrees or 0 degrees
- Provisions for mounting one intermediate class arrestors or two distribution class arrestors
- Mounting hardware is hot dipped galvanized
- Straight design allows back to back mounting

Product Details

General

Material	Aluminum Alloy, 6061-T6
UPC	192663126316

Dimensions

Length	60.00 in
--------	----------