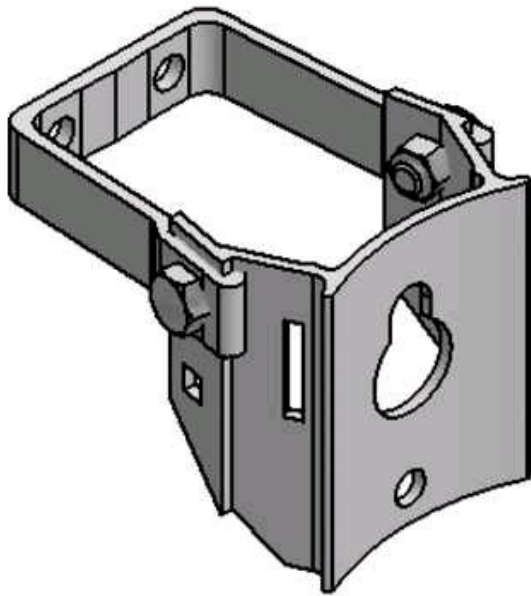


BASOCL6

by CMC
 Catalog ID: BASOCL6



Stand off bracket with interlocking extrusions. Mounts H-bar and conduit 6" off face pole. Requires one 1/2" through bolt and one 1/2" lag bolt to attach to pole. 1/2" lag bolt and 1/2" through bolt

- Stand off bracket with interlocking extrusions
- Mounts H-bar and conduit 6" off face pole
- Requires one 1/2" through bolt and one 1/2" lag bolt to attach to pole
- 1/2" lag bolt and 1/2" through bolt (not supplied)

Product Details

General

| | |
|------|-----------------|
| Type | Conduit Bracket |
| UPC | 192663126620 |

Dimensions

| | |
|-----------|---------|
| Bolt Size | 1/2 in |
| Length | 6.00 in |