

# VIPER Floodlight

VIPER LUMINAIRE

MICRO STRIKE | STRIKE OPTICS

## FEATURES

- Low profile LED floodlighting luminaire with a variety of NEMA distributions for lighting applications such as accent lighting, sign lighting, distribution center, and general area lighting.
- Featuring two different optical technologies, Strike and Micro Strike Optics, which provide the best distribution patterns for retrofit or new construction
- Vibration rated for high vibration applications including bridges and overpasses. All housing sizes are rated for 1.5G
- Control options including photo control, occupancy sensing, NX Distributed Intelligence™, Wiscap and 7-Pin with networked controls
- New customizable lumen output feature allows for the wattage and lumen output to be customized in the factory to meet whatever specification requirements may entail
- Field interchangeable mounting provides additional flexibility after the fixture has shipped



See Certification Specifications

## CONTROL TECHNOLOGY



## SPECIFICATIONS

### CONSTRUCTION

- Die-cast housing with hidden vertical heat fins are optimal for heat dissipation while keeping a clean smooth outer surface
- Corrosion resistant, die-cast aluminum housing with 1000 hour powder coat paint finish
- External hardware is corrosion resistant

### OPTICS

- Micro Strike Optics (132, 264, 360, or 540 LED counts) maximize uniformity in retrofit applications and come standard with mid-power LEDs which evenly illuminate the entire luminous surface area to provide a low glare appearance. Catalog logic found on page 2
- Strike Optics (36, 72, 108, or 162 LED counts) provide best in class distributions and maximum pole spacing in new construction applications with high powered LEDs. Strike optics are held in place with a polycarbonate bezel to mimic the appearance of the Micro Strike Optics so both solutions can be combined on the same application. Catalog logic found on page 3
- One-piece silicone gasket ensures a weatherproof seal

### INSTALLATION

- Mounting patterns for each arm can be found on page 8
- All mounting hardware included
- Knuckle arm fitter option available for 2-3/8" OD tenon
- Control options are only available on the knuckle mount option and must be installed on a vertical tenon
- Micro Strike flood configurations may be aimed up, but must have at least a 30° to allow for water to shed.

### ELECTRICAL

- Universal 120-277 VAC or 347-480 VAC input voltage, 50/60 Hz
- Ambient operating temperature -40°C to 40°C
- Drivers have greater than 90% power factor and less than 20% THD
- LED drivers have output power over-voltage, over-current protection and short circuit protection with auto recovery
- Field replaceable surge protection device provides 20kA protection meeting ANSI/IEEE C62.41.2 Category C High and Surge Location Category C3; Automatically takes fixture off-line for protection when device is compromised

### CONTROLS

- Photo control, occupancy sensor programmable controls and Zigbee wireless controls available for complete on/off and dimming control
- Please consult brand or sales representative when combining control and electrical options as some combinations may not operate as anticipated depending on your application
- 7-pin ANSI C136.41-2013 photocontrol receptacle option available for twist lock photocontrols or wireless control modules (control accessories sold separately)
- 0-10V Dimming Drivers are standard and dimming leads are extended out of the luminaire unless control options require connection to the dimming leads. Must specify if wiring leads are to be greater than the 6" standard
- NX Distributed Intelligence™ available with in fixture wireless control module, features dimming and occupancy sensor
- WiSCAPE® available with in fixture wireless control module, features dimming and occupancy sensor. Also available in 7-pin configuration

### CERTIFICATIONS

- Meets the qualifications for DLC Premium
- Listed to UL1598 and CSA C22.2#250.0-24 for wet locations and 40°C ambient temperatures
- 1.5 G rated for ANSI C136.31 high vibration applications
- Fixture is IP65 rated
- Meets IDA recommendations using 3K CCT configuration at 0 degrees of tilt
- This product qualifies as a "designated country construction material" per FAR 52.225-11 Buy American-Construction Materials under Trade Agreements effective 04/23/2020. See [Buy American Solutions](#).

### WARRANTY

- 5 year warranty
- See [HLI Commercial and Industrial Outdoor Lighting Warranty](#) for additional information

KEY DATA	
Lumen Range	5500–60000
Wattage Range	39–545
Efficacy Range (LPW)	92–152
Weight lbs. (kg.)	13.7-30.9 (6.2-13.9)

# VIPER Floodlight

VIPER LUMINAIRE

## MICRO STRIKE OPTICS – ORDERING GUIDE

Example: VP-F-2-132L-39-3K8-4x4-UNV-AAU-BLT

CATALOG # \_\_\_\_\_

VP-F	Series	Optic Platform	Size	Light Engine	CCT/CRI	Distribution	Voltage
VP-F	Viper Flood	Microstrike	1 Size 1 <sup>6</sup>	<b>132L-39</b> 5500 lumens <b>132L-55</b> 7500 lumens <b>132L-75</b> 10000 lumens <b>132L-100</b> 12500 lumens <b>132L-120</b> 15000 lumens <b>132L-135</b> 18000 lumens	<b>AP</b> AP-Amber Phosphor Converted <b>27K8</b> 2700K, 80 CRI <b>3K7</b> 3000K, 70 CRI <b>3K8</b> 3000K, 80 CRI <b>35K8</b> 3500K, 80 CRI	<b>2X2</b> Narrow Spot <b>4X4</b> Medium Spot <b>6X6</b> Wide Flood	<b>UNV</b> 120-277V <b>120</b> 120V <b>208</b> 208V <b>240</b> 240V <b>277</b> 277V <b>347</b> 347V <b>480</b> 480V
			2 Size 2	<b>264L-130</b> 18000 lumens <b>264L-155</b> 21000 lumens <b>264L-175</b> 24000 lumens <b>264L-205</b> 27000 lumens <b>264L-235</b> 30000 lumens <b>264L-260</b> 33000 lumens	<b>3K9</b> 3000K, 90 CRI <b>4K7</b> 4000K, 70 CRI <b>4K8</b> 4000K, 80 CRI <b>4K9</b> 4000K, 90 CRI <b>5K7</b> 5000K, 70 CRI <b>5K8</b> 5000K, 80 CRI		
			3 Size 3	<b>360L-270</b> 36000 lumens <b>360L-310</b> 40000 lumens <b>360L-345</b> 44000 lumens			
			4 Size 4	<b>540L-350</b> 48000 lumens <b>540L-390</b> 52000 lumens <b>540L-415</b> 55000 lumens <b>540L-460</b> 60000 lumens <sup>7</sup> <b>CLO</b> Custom Lumen Output <sup>1</sup>			

Mounting	Color	Options	Network Control Options
<b>AAU</b> Adjustable Arm <b>AA_U</b> Adjustable arm mount for round pole <sup>9</sup> <b>K</b> Knuckle <b>T</b> Trunnion	<b>BLT</b> Black Matte Textured <b>BLS</b> Black Gloss Smooth <b>DBT</b> Dark Bronze Matte Textured <b>DBS</b> Dark Bronze Gloss Smooth <b>GTT</b> Graphite Matte Textured <b>LGS</b> Light Grey Gloss Smooth <b>LGT</b> Light Grey Gloss Textured <b>PSS</b> Platinum Silver Smooth <b>WHT</b> White Matte Textured <b>WHS</b> White Gloss Smooth <b>VGT</b> Verde Green Textured <b>LEG</b> Legacy Colors <b>Color Option</b> <b>CC</b> Custom Color	<b>F</b> Fusing <b>2PF</b> Dual Power Feed <sup>2</sup> <b>2DR</b> Dual Driver <b>TE</b> Toolless Entry <b>BC</b> Backlight Control <b>TB</b> Terminal Block	<b>NXSPW-14F</b> NX Wireless, PIR Occupancy Sensor, Dimming Daylight Harvesting, 14' <sup>1,3,4,8</sup> <b>NXSPW-30F</b> NX Wireless, PIR Occupancy Sensor, Dimming Daylight Harvesting, 30' <sup>1,3,4,8</sup> <b>NXSP-14F</b> NX, PIR Occupancy Sensor, Dimming Daylight Harvesting, 14' <sup>3,4,8</sup> <b>NXSP-30F</b> NX, PIR Occupancy Sensor, Dimming Daylight Harvesting, 30' <sup>3,4,8</sup> <b>NXWE</b> NX Wireless Enabled (module + radio) <sup>3,4,8</sup> <b>WIR</b> wiSCAPE® In-Fixture Module <sup>1,3,4,8</sup> <b>Stand Alone Sensors</b> <b>BTS-14F</b> Bluetooth® Programmable, PIR Occupancy/Daylight Sensor <sup>4,8</sup> <b>BTS-40F</b> Bluetooth® Programmable, PIR Occupancy/Daylight Sensor <sup>4,8</sup> <b>BTSO-12F</b> Bluetooth® Programmable, PIR Occupancy/Daylight Sensor, up to 12' mounting height <sup>4,8</sup> <b>Stand Alone Sensors</b> <b>7PR</b> 7-Pin Receptacle <sup>4</sup> <b>7PR-SC</b> 7-Pin Receptacle with shorting cap <sup>4</sup> <b>3PR</b> 3-Pin twist lock <sup>4</sup> <b>3PR-SC</b> 3-Pin receptacle with shorting cap <sup>4</sup> <b>3PR-TL</b> 3-Pin PCR with photocontrol <sup>4</sup> <b>Programmed Controls</b> <b>ADD</b> AutoDim Timer Based Dimming <sup>4</sup> <b>ADT</b> AutoDim Time of Day Dimming <sup>4</sup> <b>Photocontrols</b> <b>PC</b> Button Photocontrol <sup>4,5</sup>

1 – Items with a grey background can be done as a custom order. Contact brand representative for more information  
 2 – Not available with trunnion mount  
 3 – Networked Controls cannot be combined with other control options and are limited based on mounting orientation  
 4 – Not available with 2PF option  
 5 – Not available with 480V  
 6 – Not available with Dual Driver option

7 – Some voltage restrictions may apply when combined with controls  
 8 – Control option not available in 130W or 155W configuration  
 9 – Replace “\_” with “2” for 2.5”-3.4” OD pole, “3” for 3.5”-4.13” OD pole, “4” for 4.18”-5.25” OD pole, “5” for 5.5”-6.5” OD pole

# VIPER Floodlight

VIPER LUMINAIRE

## STRIKE OPTIC – ORDERING GUIDE

Example: VP-F-ST-1-36L-39-3K7-3x3-UNV-AAU-BLT

CATALOG #

VP-F	Optic Platform	Size	Light Engine	CCT/CRI	Distribution	Voltage
<b>Series</b>	<b>ST</b> Strike	<b>1</b> Size 1	<b>36L-39</b> <sup>7</sup> 5500 lumens	<b>AM</b> monochromatic amber, 595nm	<b>3X3</b> Narrow Flood	<b>UNV</b> 120-277V
VP-F Viper Flood			<b>36L-55</b> <sup>7</sup> 7500 lumens	<b>27K8</b> 2700K, 80 CRI	<b>5X5</b> Medium Flood	<b>120</b> 120V
			<b>36L-85</b> 10000 lumens	<b>3K7</b> 3000K, 70 CRI	<b>4X6</b> Vertical Flood	<b>208</b> 208V
			<b>36L-105</b> 12500 lumens	<b>3K8</b> 3000K, 80 CRI	<b>6X4</b> Horizontal Flood	<b>240</b> 240V
			<b>36L-120</b> 14000 lumens	<b>3K9</b> 3000K, 90 CRI		<b>277</b> 277V
		<b>2</b> Size 2	<b>72L-115</b> 15000 lumens	<b>3K9</b> 3000K, 90 CRI		<b>347</b> 347V
			<b>72L-145</b> 18000 lumens	<b>35K8</b> 3500K, 80 CRI		<b>480</b> 480V
			<b>72L-180</b> 21000 lumens	<b>4K7</b> 4000K, 70 CRI		
			<b>72L-210</b> 24000 lumens	<b>4K8</b> 4000K, 80 CRI		
			<b>72L-240</b> 27000 lumens	<b>4K9</b> 4000K, 90 CRI		
		<b>3</b> Size 3	<b>108L-215</b> <sup>7</sup> 27000 lumens	<b>5K7</b> 5000K, 70 CRI		
			<b>108L-250</b> 30000 lumens	<b>5K8</b> 5000K, 80 CRI		
			<b>108L-280</b> 33000 lumens			
			<b>108L-325</b> 36000 lumens			
			<b>108L-365</b> 40000 lumens			
		<b>4</b> Size 4	<b>162L-320</b> 40000 lumens			
			<b>162L-365</b> <sup>9</sup> 44000 lumens			
			<b>162L-405</b> 48000 lumens			
			<b>162L-445</b> 52000 lumens			
			<b>162L-485</b> 55000 lumens			
			<b>162L-545</b> <sup>7</sup> 60000 lumens			
			<b>CLO</b> Custom Lumen Output <sup>1</sup>			

Mounting	Color	Options	Network Control Options
<b>AAU</b> Adjustable Arm	<b>BLT</b> Black Matte Textured	<b>F</b> Fusing	<b>NXSPW-14F</b> NX Wireless, PIR Occupancy Sensor, Dimming Daylight Harvesting, 14' <sup>1,3,4</sup>
<b>AA_U</b> Adjustable arm mount for round pole <sup>10</sup>	<b>BLS</b> Black Gloss Smooth	<b>E</b> Battery Backup <sup>1,2,6,7,8</sup>	<b>NXSPW-30F</b> NX Wireless, PIR Occupancy Sensor, Dimming Daylight Harvesting, 30' <sup>1,3,4</sup>
<b>K</b> Knuckle	<b>DBT</b> Dark Bronze Matte Textured	<b>2PF</b> Dual Power Feed <sup>2</sup>	<b>NXSP-14F</b> NX, PIR Occupancy Sensor, Dimming Daylight Harvesting, 14' <sup>3,4</sup>
<b>T</b> Trunnion	<b>DBS</b> Dark Bronze Gloss Smooth	<b>2DR</b> Dual Driver	<b>NXSP-30F</b> NX, PIR Occupancy Sensor, Dimming Daylight Harvesting, 30' <sup>3,4</sup>
	<b>GTT</b> Graphite Matte Textured	<b>TE</b> Toolless Entry	<b>NXWE</b> NX Wireless Enabled <sup>3,4</sup>
	<b>LGS</b> Light Grey Gloss Smooth	<b>BC</b> Backlight Control	<b>WIR</b> wiSCAPE® In-Fixture Module <sup>1,3,4</sup>
	<b>LGT</b> Light Grey Gloss Textured	<b>TB</b> Terminal Block	<b>Stand Alone Sensors</b>
	<b>PSS</b> Platinum Silver Smooth		<b>BTS-14F</b> Bluetooth® Programmable, PIR Occupancy/Daylight Sensor <sup>4</sup>
	<b>WHT</b> White Matte Textured		<b>BTS-40F</b> Bluetooth® Programmable, PIR Occupancy/Daylight Sensor <sup>4</sup>
	<b>WHS</b> White Gloss Smooth		<b>BTSO-12F</b> Bluetooth® Programmable, PIR Occupancy/Daylight Sensor, up to 12' mounting height <sup>4</sup>
	<b>VGT</b> Verde Green Textured		<b>Stand Alone Sensors</b>
	<b>LEG</b> Legacy Colors		<b>7PR</b> 7-Pin Receptacle <sup>4</sup>
	<b>Color Option</b>		<b>7PR-SC</b> 7-Pin Receptacle with shunting cap <sup>4</sup>
	<b>CC</b> Custom Color		<b>3PR</b> 3-Pin twist lock <sup>4</sup>
			<b>3PR-SC</b> 3-Pin receptacle with shunting cap <sup>4</sup>
			<b>3PR-TL</b> 3-Pin PCR with photocontrol <sup>4</sup>
			<b>Programmed Controls</b>
			<b>ADD</b> AutoDim Timer Based Dimming <sup>4</sup>
			<b>ADT</b> AutoDim Time of Day Dimming <sup>4</sup>
			<b>Photocontrols</b>
			<b>PC</b> Button Photocontrol <sup>4,5</sup>

1 – Items with a grey background can be done as a custom order. Contact brand representative for more information  
 2 – Not available with trunnion mount  
 3 – Networked Controls cannot be combined with other control options and are limited based on mounting orientation  
 4 – Not available with 2PF option  
 5 – Not available with 480V  
 6 – Not available with 347 or 480V

7 – Not available with Dual Driver option  
 8 – Only available in Size 1 housing  
 9 – Some voltage restrictions may apply when combined with controls  
 10 – Replace “\_” with “2” for 2.5”-3.4” OD pole, “3” for 3.5”-4.13” OD pole, “4” for 4.18”-5.25” OD pole, “5” for 5.5”-6.5” OD pole

# VIPER Floodlight

VIPER LUMINAIRE

## ORDERING GUIDE (CONTINUED)

 CATALOG # 

Accessory Type	Size	Option	Color
SHD Shield	1 Size 1	VISOR Visor Accessory	BLS Black Gloss Smooth
	2 Size 2		
	3 Size 3		
	4 Size 4		
MTG Mounting		A Arm Mount for square pole/flat surface	DBS Dark Bronze Gloss Smooth
		ASQU Universal Arm Mount for square pole	DBT Dark Bronze Matte Textured
		AAU Adjustable Arm for pole mounting	GTT Graphite Matte Textured
		ADU Decorative upswept Arm	LGS Light Gray Gloss Smooth
		RPA Round Pole Adapter	PSS Platinum Silver Smooth
		MAF Mast Arm Fitter for 2-3/8" OD horizontal arm	WHS White Gloss Smooth
		K Knuckle	WHT White Matte Textured
		T Trunion	VGT Green Landscape Decorative
		WB Wall Bracket (compatible with universal arm mounts)	LEG Legacy Colors
			CC Custom Color
MSC Miscellaneous		BIRD SPK Bird Spike	

### Hubbell Control Solutions — Accessories (Sold Separately)

#### NX Distributed Intelligence™

 **NXOFM-1R1D-UNV** On-fixture Module (7-pin), On / Off / Dim, Daylight Sensor with HubbNET Radio and Bluetooth® Radio, 120–480VAC

#### wiSCAPE® Lighting Control

 **WIR-RME-L** On-fixture Module (7-pin or 5-pin), On / Off / Dim, Daylight Sensor with wiSCAPE Radio, 110–480VAC

For additional information related to these accessories please visit [www.hubbellcontrolsolutions.com](http://www.hubbellcontrolsolutions.com). Options provided for use with integrated sensor, please view specification sheet ordering information table for details.

## CONTROLS



Control Option	Sensor	Networkable	Scheduling	Occupancy	Daylight Harvesting	On/Off Control	Programming	Pair with Sensor	Sensor Mounting Height
<a href="#">NXWE</a>	–	✓	✓	–	–	✓	✓	–	–
<a href="#">NXSPW_F</a>	NXSM-P	✓	✓	✓	✓	✓	✓	–	14ft, 40ft
<a href="#">BTSO12F</a>	BTSMP-OMNI	–	–	✓	✓	✓	Bluetooth	–	12ft
<a href="#">BTS_F</a>	<a href="#">BTSMP</a>	–	–	✓	✓	–	–	–	14ft, 40ft
<a href="#">ADD</a>	–	–	✓	–	–	✓	–	✓	–
<a href="#">ADT</a>	–	–	✓	–	–	✓	–	✓	–
<a href="#">7PR</a>	–	Paired with external control	Paired with external control	–	Paired with external control	Paired with external control	–	✓	–
<a href="#">7PR-SC</a>	–	–	–	–	–	–	–	✓	–
<a href="#">3PR</a>	–	–	–	–	–	Paired with external control	–	✓	–
<a href="#">3PR-SC</a>	–	–	–	–	–	–	–	✓	–
<a href="#">3PR-TL</a>	–	–	–	–	✓	✓	–	✓	–
<a href="#">WIR</a>	–	✓	✓	–	✓	✓	Gateway	–	–
<a href="#">WIRSC</a>	<a href="#">BTSMP</a>	✓	✓	✓	✓	✓	Gateway	–	14ft, 40ft

# VIPER Floodlight

VIPER LUMINAIRE

## DELIVERED LUMENS

 For delivered lumens, please see Lumens Data PDF on [www.hubbellingighting.com](http://www.hubbellingighting.com)

## PROJECTED LUMEN MAINTENANCE

Ambient Temp.	0	25,000	*TM-21-11 36,000	50,000	100,000	Calculated L <sub>70</sub> (Hours)
25°C / 77°F	1.00	0.97	0.96	0.95	0.91	408,000
40°C / 104°F	0.99	0.96	0.95	0.94	0.89	356,000

## LUMINAIRE AMBIENT TEMPERATURE FACTOR (LATF)

Ambient Temperature		Lumen Multiplier
0°C	32°F	1.03
10°C	50°F	1.01
20°C	68°F	1.00
25°C	77°F	1.00
30°C	86°F	0.99
40°C	104°F	0.98
50°C	122°F	0.97

## ELECTRICAL DATA: MICRO STRIKE

# OF LEDS	132					
NOMINAL WATTAGE	39	55	75	100	120	135
SYSTEM POWER (W)	37.3	52.7	75.5	96.3	117.7	132.3
INPUT VOLTAGE (V)	CURRENT (Amps)					
120	0.33	0.46	0.63	0.83	1.00	1.13
208	0.19	0.26	0.36	0.48	0.58	0.65
240	0.16	0.23	0.31	0.42	0.50	0.56
277	0.14	0.20	0.27	0.36	0.43	0.49
347	0.11	0.16	0.22	0.29	0.35	0.39
480	0.08	0.11	0.16	0.21	0.25	0.28

# OF LEDS	264					
NOMINAL WATTAGE	130	155	175	205	235	260
SYSTEM POWER (W)	126.5	150.7	178.4	207.2	232.7	261.7
INPUT VOLTAGE (V)	CURRENT (Amps)					
120	1.08	1.29	1.46	1.71	1.96	2.17
208	0.63	0.75	0.84	0.99	1.13	1.25
240	0.54	0.65	0.73	0.85	0.98	1.08
277	0.47	0.56	0.63	0.74	0.85	0.94
347	0.37	0.45	0.50	0.59	0.68	0.75
480	0.27	0.32	0.36	0.43	0.49	0.54

ELECTRICAL DATA CONTINUED ONTO NEXT PAGE

# VIPER Floodlight

VIPER LUMINAIRE

## ELECTRICAL DATA: MICRO STRIKE (CONTINUED)

# OF LEDS	360			
NOMINAL WATTAGE	270	310	345	380
SYSTEM POWER (W)	271	311.6	345.2	380.2
INPUT VOLTAGE (V)	CURRENT (Amps)			
120	2.25	2.58	2.88	3.17
208	1.30	1.49	1.66	1.83
240	1.13	1.29	1.44	1.58
277	0.97	1.12	1.25	1.37
347	0.78	0.89	0.99	1.10
480	0.56	0.65	0.72	0.79

# OF LEDS	540					
NOMINAL WATTAGE	350	390	415	460	510	555
SYSTEM POWER (W)	347.7	389.3	415.2	449.9	509	552.8
INPUT VOLTAGE (V)	CURRENT (Amps)					
120	2.92	3.25	3.46	3.83	4.25	4.63
208	1.68	1.88	2.00	2.21	2.45	2.67
240	1.46	1.63	1.73	1.92	2.13	2.31
277	1.26	1.41	1.50	1.66	1.84	2.00
347	1.01	1.12	1.20	1.33	1.47	1.60
480	0.73	0.81	0.86	0.96	1.06	1.16

## ELECTRICAL DATA: STRIKE

# OF LEDS	36				
NOMINAL WATTAGE	39	55	85	105	120
SYSTEM POWER (W)	39.6	56.8	83.6	108.2	108.2
INPUT VOLTAGE (V)	CURRENT (Amps)				
120	0.33	0.46	0.71	0.88	1.00
208	0.19	0.26	0.41	0.50	0.58
240	0.16	0.23	0.35	0.44	0.50
277	0.14	0.20	0.31	0.38	0.43
347	0.11	0.16	0.24	0.30	0.35
480	0.08	0.11	0.18	0.22	0.25

# OF LEDS	72				
NOMINAL WATTAGE	115	145	180	210	240
SYSTEM POWER (W)	113.7	143.2	179.4	210.2	241.7
INPUT VOLTAGE (V)	CURRENT (Amps)				
120	0.96	1.21	1.50	1.75	2.00
208	0.55	0.70	0.87	1.01	1.15
240	0.48	0.60	0.75	0.88	1.00
277	0.42	0.52	0.65	0.76	0.87
347	0.33	0.42	0.52	0.61	0.69
480	0.24	0.30	0.38	0.44	0.50

ELECTRICAL DATA CONTINUED ONTO NEXT PAGE

# VIPER Floodlight

VIPER LUMINAIRE

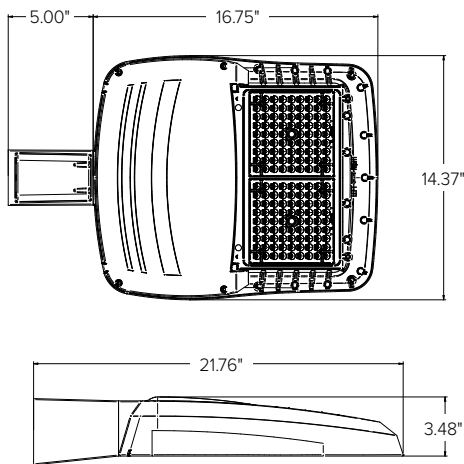
## ELECTRICAL DATA: STRIKE (CONTINUED)

# OF LEDS	108					
NOMINAL WATTAGE	215	250	280	320	325	365
SYSTEM POWER (W)	214.8	250.8	278.3	322.1	324.7	362.6
INPUT VOLTAGE (V)	CURRENT (Amps)					
120	1.79	2.08	2.33	2.71	3.04	3.04
208	1.03	1.20	1.35	1.56	1.75	1.75
240	0.90	1.04	1.17	1.35	1.52	1.52
277	0.78	0.90	1.01	1.17	1.32	1.32
347	0.62	0.72	0.81	0.94	1.05	1.05
480	0.45	0.52	0.58	0.68	0.76	0.76

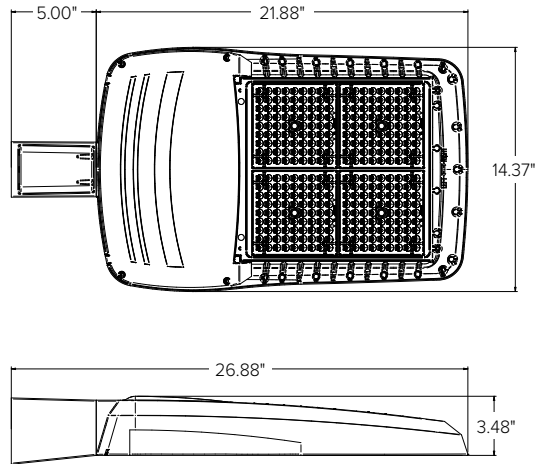
# OF LEDS	162					
NOMINAL WATTAGE	320	365	405	445	485	545
SYSTEM POWER (W)	322.1	362.6	403.6	445.1	487.1	543.9
INPUT VOLTAGE (V)	CURRENT (Amps)					
120	2.67	2.67	3.38	3.71	4.04	4.54
208	1.54	1.54	1.95	2.14	2.33	2.62
240	1.33	1.33	1.69	1.85	2.02	2.27
277	1.16	1.16	1.46	1.61	1.75	1.97
347	0.92	0.92	1.17	1.28	1.40	1.57
480	0.67	0.67	0.84	0.93	1.01	1.14

## DIMENSIONS

### SIZE 1



### SIZE 2

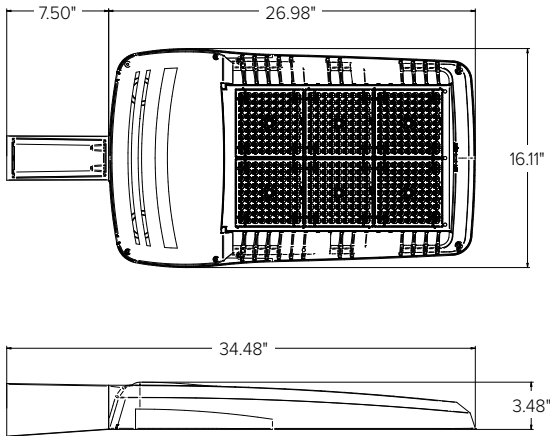


# VIPER Floodlight

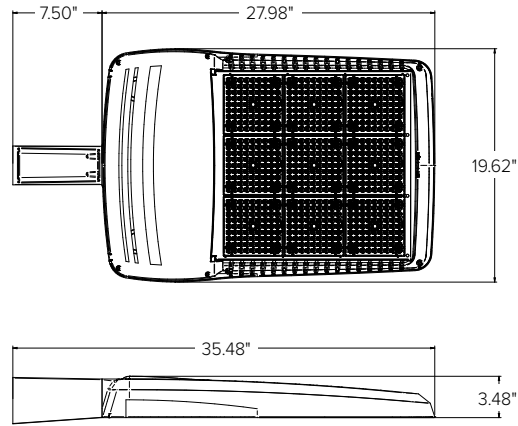
VIPER LUMINAIRE

## DIMENSIONS (CONTINUED)

### SIZE 3



### SIZE 4



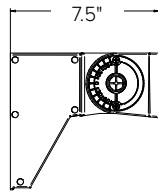
### EPA

	EPA			
	Size 1	Size 2	Size 3	Size 4
30°	0.827	1.023	1.423	1.850
60°	1.419	1.837	2.419	3.080

### Weight

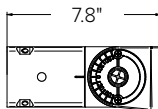
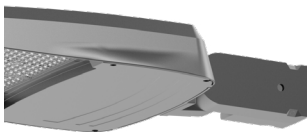
	Weight	
	lbs	kgs
VP1 (Size 1)	13.7	6.2
VP2 (Size 2)	16.0	7.26
VP3 (Size 3)	25.9	11.7
VP4 (Size 4)	30.8	13.9

## MOUNTING



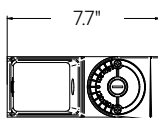
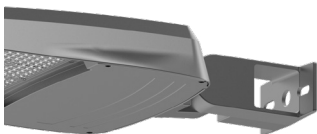
### AAU- ADJUSTABLE ARM FOR POLE MOUNTING

Rotatable arm mounts directly to pole. Compatible with drill patterns from 2.5" to 4.5". For round poles add applicable suffix (2/3/4/5). Rotatable in 15° aiming angle increments. Micro Strike configurations may be aimed up but must have a 30° tilt to shed water. Strike configurations have a 30° aiming limitation.



### K-KNUCKLE

Knuckle mount 15° aiming angle increments for precise aiming and control, fits 2-3/8" tenons or pipes. Micro Strike configurations may be aimed up but must have a 30° tilt to shed water. Strike configurations have a 30° aiming limitation.



### T-TRUNNION

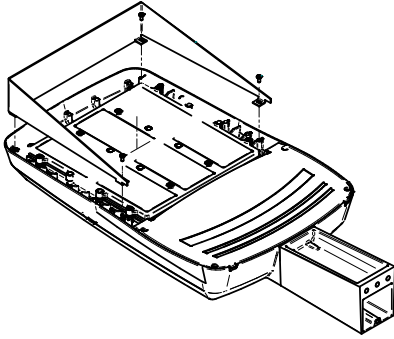
Trunnion for surface and crossarm mounting using (1) 3/4" or (2) 1/2" size through bolts. Micro Strike configurations may be aimed up but must have a 30° tilt to shed water. Strike configurations have a 30° aiming limitation.



# VIPER Floodlight

VIPER LUMINAIRE

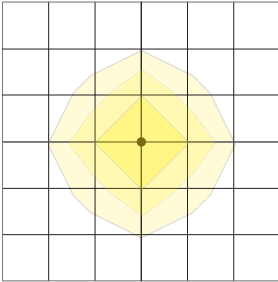
## VISOR FIELD INSTALL ACCESSORIES



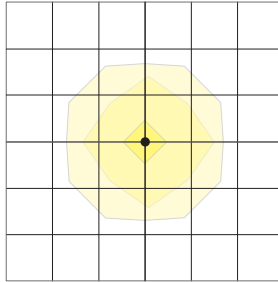
## MICROSTIRKE PHOTOMETRY

The following diagrams represent the general distribution options offered for this product. For detailed information on specific product configurations, see [website photometric test reports](#).

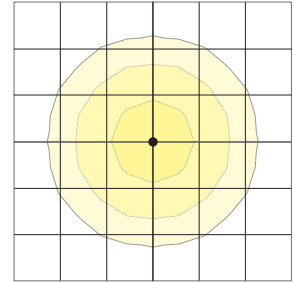
Type 2x2



Type 4x4



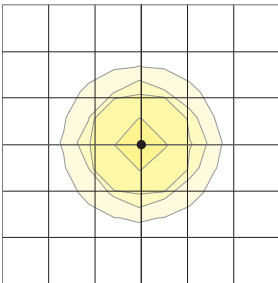
Type 6x6



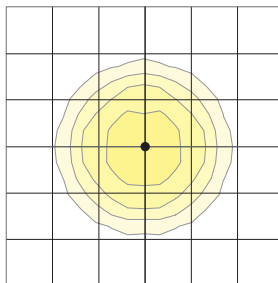
## OPTICS STRIKE PHOTOMETRY

The following diagrams represent the general distribution options offered for this product. For detailed information on specific product configurations, see [website photometric test reports](#).

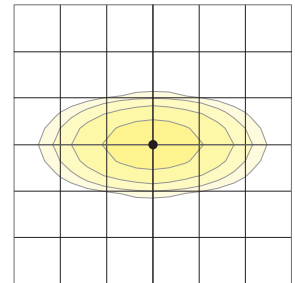
Type 3x3



Type 5x5



Type 4x6 / 6x4



## OCCUPANCY SENSOR



Control options ordered with the knuckle mount configuration will be mounted on the lower portion of the knuckle as shown in the image and should only be mounted on a vertical tenon for best operation.

# VIPER Floodlight

VIPER LUMINAIRE

## ADDITIONAL INFORMATION (CONTINUED)

### PROGRAMMED CONTROLS

ADD-AutoDim Timer Based Options

- Light delay options from 1-9 hours after the light is turned on to dim the light by 10-100%. To return the luminaire to its original light level there are dim return options from 1-9 hours after the light has been dimmed previously.

EX: ADD-6-5-R6

ADD Control Options	Configurations Choices	Example Choice Picked
Auto-Dim Options	1-9 Hours	6 - Delay 6 hours
Auto-Dim Brightness	10-100% Brightness	5 - Dim to 50% brightness
Auto-Dim Return	Delay 0-9 Hours	R6 - Return to full output after 6 hours

ADT-AutoDim Time of Day Based Option

- Light delay options from 1AM-9PM after the light is turned on to dim the light by 10-100%. To return the luminaire to its original light level there are dim return options from 1AM-9PM after the light has been dimmed previously.

EX: ADT-6-5-R6

ADD Control Options	Configurations Choices	Example Choice Picked
Auto-Dim Options	12-3 AM and 6-11 PM	6 - Dim at 6PM
Auto-Dim Brightness	10-100% Brightness	5 - Dim to 50%
Auto-Dim Return	12-6 AM and 9-11P	R6 - Return to full output at 6AM

## USE OF TRADEMARKS AND TRADE NAMES

All product and company names, logos and product identifies are trademarks ™ or registered trademarks ® of Hubbell Lighting, Inc. or their respective owners. Use of them does not necessarily imply any affiliation with or endorsement by such respective owners.