

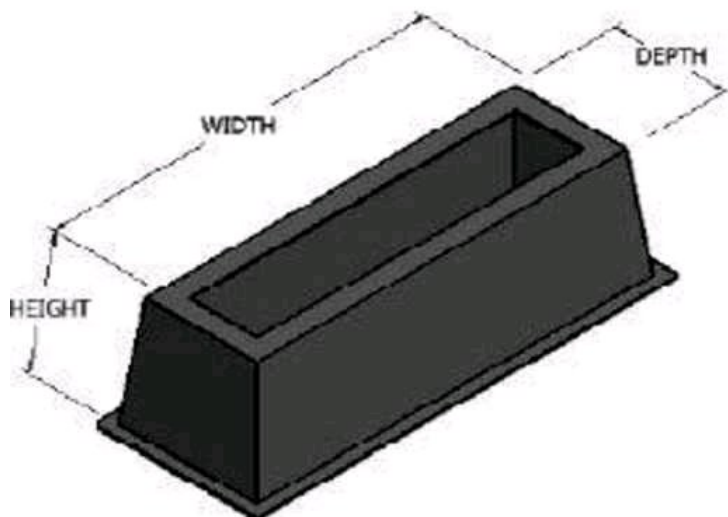
BFGBS186018

by CMC

Catalog ID: BFGBS186018

Fiberglass cabinet bases

- Non-corrosive and non-conducting base/foundation for mounting sectionalizing cabinets, fusing cabinets or similar applications
- Allows ample space for training cables. Easily drilled to accept mounting hardware
- Eliminates any concern with corrosion degradation common with metal foundations
- The base is manufactured from durable, non-corrosive, thermoset polyester resin reinforced with fiberglass
- The base is maintenance free. Internal or external ribs provide structural integrity and uniform nesting
- The bases can be re-stacked and transported without binding. Other sizes available upon request



Product Details

General

UPC	192663145010
-----	--------------

Dimensions

Depth	16.5 in
Height	18 in
Width	60 in

CONNECTOR MANUFACTURING COMPANY

3501 Symmes Road

Hamilton, Ohio 45015 - 1369

513 - 860 - 4455(Press 2 for Customer Service and Sales)

To email customer Service: jrex@cmclugs.com