

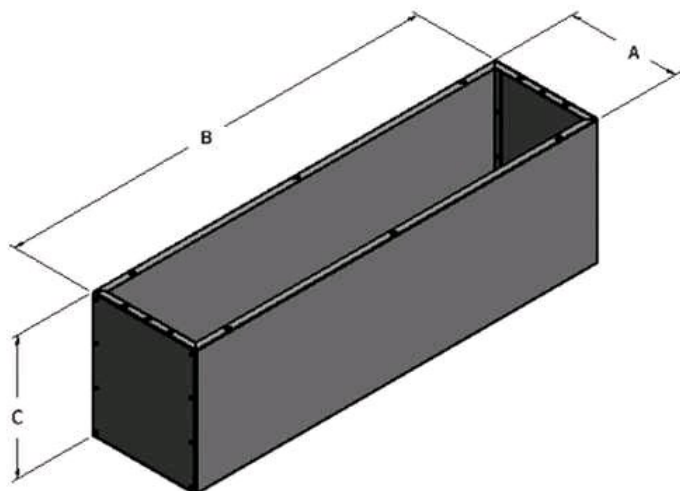
# BGSBS186020

by CMC

Catalog ID: BGSBS186020

Primary Sectionalizing Enclosure Burial Sleeve

- All steel burial sleeves are fabricated from 14-gauge galvanized steel and have an oven cured powder coat polyester finish. (Also available in aluminum us "BA" catalog number, e.g.: BABS228420)
- 12 gauge galvanized steel available upon request (add suffix "-H")
- 304 stainless steel carriage bolts supplied for assembly



## Product Details

### General

Material	Steel, Galvanized
UPC	192663141609

### Dimensions

Depth	16.5 in
Height	20 in
Width	60 in