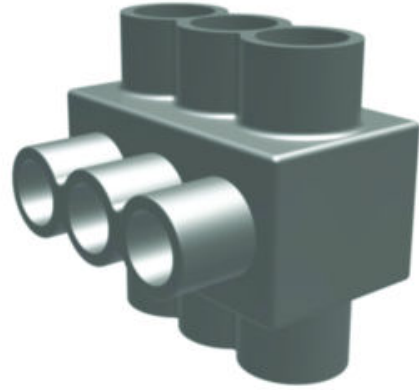




# 1PLD2508, UV Rated Black, 2-sided, 8-ports, #10 AWG-250 kcmil

By Burndy  
Catalog # [1PLD2508](#)

UV Black Plastisol Covered Al Distribution Connectors, Double Sided Entry, 8 Ports, #10 AWG- 250 Kcmil, 600 V, 5/16" Hex.



## Features

- UV Rated Covering over AL6061-T6 aluminum body saves time, lowering installation costs and eliminates taping
- Oxide inhibitor pre-installed inhibits moisture and contaminants from entering the contact area
- Range-taking capability reduces the number of connectors necessary to carry in inventory

## General

Catalog Number	1PLD2508
Connector Type	Multi Tap
Hex Key	5/16
Installation Torque Recommended in-lb	275 in-lb
Insulation	Y
Insulation Type	Plastisol
Material	Aluminum
Material - Hardware	Aluminum
Number Of Ports	8
Physical Attribute - Number of Screws	8
Physical Attribute - Screw Type	Allen
Plated	N
Plating Type	Unplated
Temperature Rating	194° F
Trade Name	UNITAP™
UPC	781810287224
UPC 12 Digit	7818102872244

## Dimensions

Dimension - Height fraction	2.125 in
Dimension - Height inch	2.13 in
Dimension - L Length Overall mm	195 mm
Dimension - Length Overall inch	7.66 in
Dimension - Screw Size inch	5/8
Dimension - Width inch	2.64 in
Dimension - Width mm	67 mm

## Electrical Ratings

Voltage - Maximum 600 V

## Conductor Related

Conductor - AL Str Size 10 AWG;9 AWG;8 AWG;7 AWG;6 AWG;5 AWG;4 AWG;3 AWG;2 AWG;1 AWG;1/0 ;2/0 AWG;3/0 AWG;4/0 AWG;250 kcmil

Conductor - AL Str Size Range 10 AWG - 250 kcmil

Conductor - Copper Str Size 10 AWG;9 AWG;8 AWG;7 AWG;6 AWG;5 AWG;4 AWG;3 AWG;2 AWG;1 AWG;1/0 ;2/0 AWG;3/0 AWG;4/0 AWG;250 kcmil

Conductor - Copper Str Size Range 10 AWG - 250 kcmil

Conductor Size 10 AWG-250 KCMIL

Conductor Type

- AL C Str-Size
- CU C Str-Size

## Certifications And Compliance

Certification - CSA Approved	No
Certification - ETL	No
Certification - UL Listed Direct Burial	No
Certification - UL Recognized	No
Certification - cULus	No
Standards - RoHS Compliance Status	CM
UL Listed	Yes

## Logistics

Minimum Pack Quantity 1

## Product Assets

[Catalogs - UNITAP™ Products](#)  
[Catalogs - Full Line BURNDY Catalog](#)  
[Customer Notices - Prop 65 Notice](#)  
[Product Cross Section Image\(s\) - BUR\\_1PLD2010\\_LineArt](#)  
[Sales Drawings - SD214514-04](#)



A proud member of the Hubbell Family.

©2024 Hubbell Incorporated. All rights reserved.  
BRDY-1PLD2508-SPEC-EN | REV 6/2024