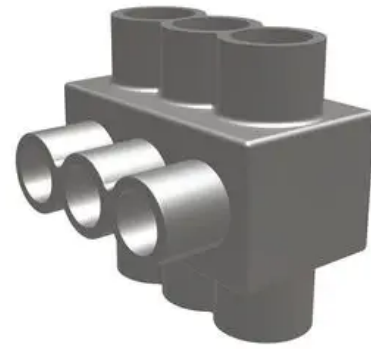




**1PLD7508, UV Rated Black, 2-sided,
8-port, #2 AWG-750 kcmil**

By Burndy
Catalog # [1PLD7508](#)

UV Black Platisol Covered Al Distribution Connectors, Double Sided Entry, 8 Ports, #2 AWG- 750 Kcmil, 600 V, 3/8" Hex.



Features

- UV Rated Covering over AL6061-T6 aluminum body saves time, lowering installation costs and eliminates taping
- Oxide inhibitor pre-installed inhibits moisture and contaminants from entering the contact area
- Range-taking capability reduces the number of connectors necessary to carry in inventory

General

Catalog Number	1PLD7508
Connector Type	Multi Tap
Hex Key	3/8
Installation Torque	500 in-lb
Recommended in-lb	
Insulation	Y
Insulation Type	Plastisol
Material	Aluminum
Material - Hardware	Aluminum
Number Of Ports	8
Physical Attribute - Number of Screws	8
Physical Attribute - Screw Type	Allen
Plated	N
Plating Type	Unplated
Temperature Rating	194
UPC	781810287453
UPC 12 Digit	7818102874533

Dimensions

Dimension - Height fraction	3 in
Dimension - Height inch	3.00 in
Dimension - Height mm	76.2 mm
Dimension - L Length Overall mm	283 mm
Dimension - Length Overall inch	11.13 in
Dimension - Screw Size inch	13/16
Dimension - Width inch	3.38 in
Dimension - Width mm	86 mm

Electrical Ratings

Voltage - Maximum	600 V
-------------------	-------

Conductor Related

Conductor - AL Str Size	2 AWG;1 AWG;1/0 AWG;2/0 AWG;3/0 AWG;4/0 AWG;250 kcmil;266 kcmil;300 kcmil;336 kcmil;350 kcmil;397 kcmil;400 kcmil;450 kcmil;477 kcmil;500 kcmil;550 kcmil;556 kcmil;600 kcmil;636 kcmil;650 kcmil;700 kcmil;715 kcmil;750 kcmil
Conductor - AL Str Size Range	2 AWG - 750 kcmil
Conductor - Copper Str Size	2 AWG;1 AWG;1/0 ;2/0 AWG;3/0 AWG;4/0 AWG;250 kcmil;300 kcmil;350 kcmil;400 kcmil;450 kcmil;500 kcmil;550 kcmil;600 kcmil;700 kcmil;750 kcmil
Conductor - Copper Str Size Range	2 AWG - 750 kcmil
Conductor Size	2 AWG-750 KCMIL
Conductor Type	<ul style="list-style-type: none">• AL C Str-Size• CU C Str-Size

Certifications And Compliance

Certification - CSA Approved	No
Certification - ETL	No
Certification - UL Listed Direct Burial	No
Certification - UL Recognized	No
Certification - cULus	No
Standards - RoHS Compliance Status	CM
UL Listed	No

Logistics

Minimum Pack Quantity	1
-----------------------	---

Product Assets

[Catalogs - BURNDY Master Catalog - Full Line BURNDY Catalog](#)
[Customer Notices - Prop 65 Notice](#)
[Interactive Catalog - BURNDY Full-Line Digital Catalog](#)
[Product Cross Section Image\(s\) - BUR_PLD_LineArt](#)
[Sales Drawings - SD214514-07](#)
[Specifications - 1PLD7508](#)

