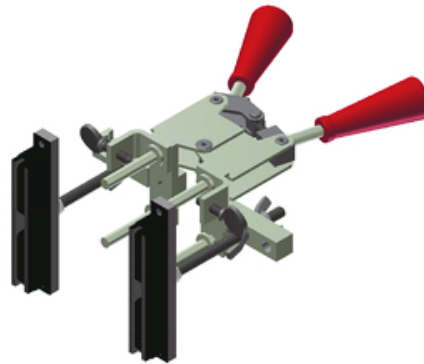




B40443100, Clamps

By Burndy
Catalog # [B40443100](#)

BURNDYWeld® Clamps.



General

UPC 781810404065
UPC 12 Digit 7818104040655

Certifications and Compliance

Certification - CSA Approved	No
Certification - ETL	No
Certification - UL Recognized	No
Certification - cULus	No
Standards - RoHS Compliance Status	CM
UL Listed	No

Logistics

Minimum Pack Quantity 1

Product Assets

[Catalogs - Full Line BURNDY Catalog](#)
[Sales Drawings - 10051616](#)



A proud member of the Hubbell Family.

©2024 Hubbell Incorporated. All rights reserved.
BRDY-B40443100-SPEC-EN | REV 1/2024