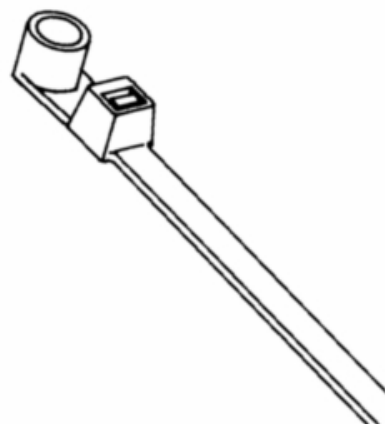




CT18075MH4C, Cable Tie, .75" Max Bundle, 18 Lb Tensile, Natural, Screw Mount

By Burndy
Catalog # [CT18075MH4C](#)

Nylon cable ties, Tensile strength-18 Lbs, Color- Natural, 03.93"L, 0.10"W, 0.75" Bundle Dia.



Features

Mounting Hole

General

Catalog Number	CT18075MH4C
Color	Natural
Material	NYLON 6/6
Mounting Method	Screw
Operating Temperature Celcius Max	85 °C
Operating Temperature Celcius Min	-40 °C
Rating - Minimum Tensile Strength lbs	18
Trade Name	UNIRAP™
UPC	781810335161

Dimensions

Dimension - Bundle Diameter Max inch	0.75
Dimension - L Length Overall mm	100 mm
Dimension - Length Overall inch	3.93 in
Dimension - Screw Size inch	#4
Dimension - Width inch	0.10 in
Dimension - Width mm	3 mm

Certifications And Compliance

Certification - 94V0 Rated	N
Certification - CSA Approved	No
Certification - ETL	No
Certification - UL Recognized	No
Certification - UV Rated	No
Certification - cULus	No
Standards - RoHS Compliance Status	CM
UL Listed	No

Logistics

Carton Quantity	1000
Minimum Pack Quantity	100
Packaging Type	Bag

Product Assets

- [Catalogs - BURNDY Master Catalog - Full Line BURNDY Catalog](#)
- [Catalogs - BURNDY Master Catalog - Section G - Wire Management](#)
- [Interactive Catalog - BURNDY Full-Line Digital Catalog](#)
- [Product Cross Section Image\(s\) - BUR_CT_MH_UNIRAP_CABLE_TIE_LineArt](#)
- [Sales Drawings - 50080813](#)
- [Specifications - CT18075MH4C](#)