

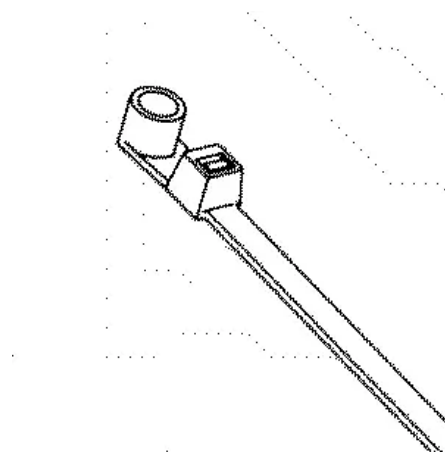


CT30125MH8M, Cable Tie, 1.25" Max Bundle, 30 Lb Tensile, Natural, Screw Mount

By Burndy

Catalog # [CT30125MH8M](#)

Nylon cable ties, Tensile strength-30 Lbs, Color- Natural, 05.80"L, 0.13"W, 01.25" Bundle Dia.



Features

Mounting Hole

General

Catalog Number	CT30125MH8M
Color	Natural
Material	NYLON 6/6
Mounting Method	Screw
Operating Temperature Celcius Max	85 °C
Operating Temperature Celcius Min	-40 °C
Rating - Minimum Tensile Strength lbs	30
Trade Name	UNIRAP™
UPC	781810335215

Dimensions

Dimension - Bundle Diameter Max inch	1.25
Dimension - L Length Overall mm	147 mm
Dimension - Length Overall inch	5.80 in
Dimension - Screw Size inch	#8
Dimension - Width inch	0.13 in

Dimension - Width mm 3 mm

Certifications And Compliance

Certification - 94V0 Rated	N
Certification - CSA Approved	No
Certification - ETL	No
Certification - UL Recognized	No
Certification - UV Rated	No
Certification - cULus	No
Standards - RoHS Compliance Status	CM
UL Listed	Yes

Logistics

Carton Quantity	10000
Minimum Pack Quantity	1000
Packaging Type	Bag

Product Assets

- [Catalogs - BURNDY Master Catalog - Full Line BURNDY Catalog](#)
- [Catalogs - BURNDY Master Catalog - Section G - Wire Management](#)
- [Interactive Catalog - BURNDY Full-Line Digital Catalog](#)
- [Product Cross Section Image\(s\) - BUR_CT_MH_UNIRAP_CABLE_TIE_LineArt](#)
- [Sales Drawings - 50080813](#)
- [Specifications - CT30125MH8M](#)