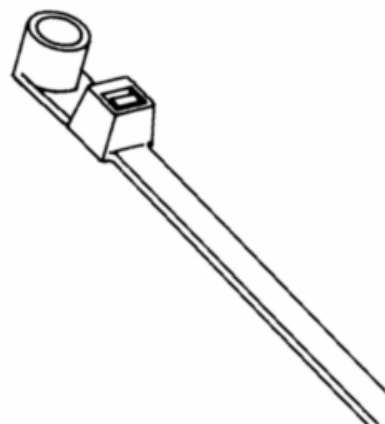




CT50175MH10M, Cable Tie, 1.75" Max Bundle, 50 Lb Tensile, Natural, Screw Mount

By Burndy
Catalog # [CT50175MH10M](#)

Nylon cable ties, Tensile strength-50 Lbs, Color- Natural,
08.00"L, 0.17"W, 01.75" Bundle Dia.



Features

Mounting Hole

General

Catalog Number	CT50175MH10M
Color	Natural
Material	NYLON 6/6
Mounting Method	Screw
Operating Temperature Celcius Max	85 °C
Operating Temperature Celcius Min	-40 °C
Rating - Minimum Tensile Strength lbs	50
Trade Name	UNIRAP™
UPC	781810335253

Dimensions

Dimension - Bundle Diameter Max inch	1.75 in
Dimension - L Length Overall mm	203 mm
Dimension - Length Overall inch	8.00 in
Dimension - Screw Size inch	#10
Dimension - Width inch	0.17 in
Dimension - Width mm	4 mm

Certifications And Compliance

Certification - 94V0 Rated	N
Certification - CSA Approved	No
Certification - ETL	No
Certification - UL Recognized	No
Certification - UV Rated	No
Certification - cULus	Yes
Standards - RoHS Compliance Status	CM
UL Listed	No

Logistics

Carton Quantity	5000
Minimum Pack Quantity	5000
Packaging Type	Bag

Product Assets

[Catalogs - BURNDY Master Catalog - Full Line BURNDY Catalog](#)
[Catalogs - BURNDY Master Catalog - Section G - Wire Management](#)
[Interactive Catalog - BURNDY Full-Line Digital Catalog](#)
[Product Cross Section Image\(s\) - BUR_CT_MH_UNIRAP_CABLE_TIE_LineArt](#)
[Sales Drawings - 50080813](#)
[Specifications - CT50175MH10M](#)