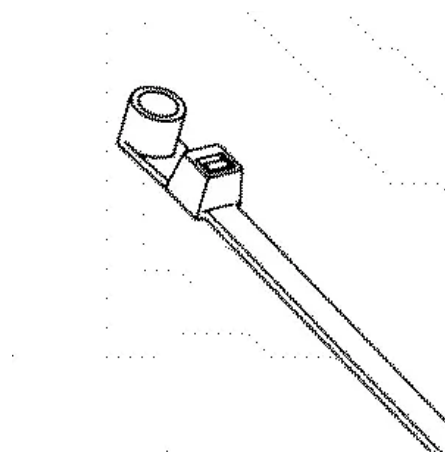




CT50175PMC, Cable Tie, 1.87" Max Bundle, 50 Lb Tensile, Natural, Push Mount

By Burndy
Catalog # [CT50175PMC](#)

Natural Nylon 6/6 Push Mount Cable Tie, Tensile Strength-50Lbs, 7.99"L, 0.18"W, 1.87" Max. Bundle Dia.



Features

Push Mount Style

General

Catalog Number	CT50175PMC
Color	Natural
Material	NYLON 6/6
Operating Temperature Celcius Max	85 °C
Operating Temperature Celcius Min	-40 °C
Rating - Minimum Tensile Strength lbs	50
Trade Name	UNIRAP™
UPC	781810335048

Dimensions

Dimension - Bundle Diameter Max inch	1.87 in
Dimension - L Length Overall mm	203 mm
Dimension - Length Overall inch	7.99 in
Dimension - Width inch	0.18 in
Dimension - Width mm	5 mm

Certifications And Compliance

Certification - 94V0 Rated	N
Certification - CSA Approved	No
Certification - ETL	No
Certification - UL Recognized	No
Certification - UV Rated	No
Certification - cULus	No
Standards - RoHS Compliance Status	CM
UL Listed	No

Logistics

Carton Quantity	1000
Minimum Pack Quantity	1000
Packaging Type	Bag

Product Assets

- [Catalogs - BURNDY Master Catalog - Full Line BURNDY Catalog](#)
- [Catalogs - BURNDY Master Catalog - Section G - Wire Management](#)
- [Interactive Catalog - BURNDY Full-Line Digital Catalog](#)
- [Product Cross Section Image\(s\) - BUR_CT_MH_UNIRAP_CABLE_TIE_LineArt](#)
- [Sales Drawings - 50080813](#)
- [Specifications - CT50175PMC](#)