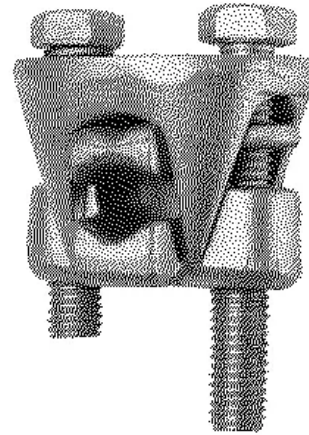




# KVS44A, 2-piece OKLIP Service Connector for heavy duty applications

By Burndy  
Catalog # [KVS44A](#)



High-conductivity, non-copper bearing aluminum alloy connector. Spacer bar separates dissimilar conductors. Intended for heavy duty applications,conductor range,Run Cu and Al :500-1000.

## Features

- High conductivity, non-copper bearing aluminum alloy connector with thick spacer and aluminum hardware
- Recommended for heavy duty dissimilar metal applications
- Spacer separates conductors and provides long contact length
- Longer peened bolt permits swivel action for easier installation
- Neoprene ring prevents loss of shorter bolt

## Application

For All Combinations Of Copper, Aluminum, ACSR, AAAC And 5005

## General

Catalog Number	KVS44A
EU RoHS Indicator	Yes
Installation Torque	660 LBS/in
Recommended in-lb	
Material	Copper
Plated	N
Plating Type	Unplated
Sub Brand	OKLIP
Trade Name	OKLIP™
Type	KVS
UPC	781810074008
UPC 12 Digit	7818100740088

## Dimensions

Dimension - Height fraction	3-5/7
Dimension - Height inch	3.71 in
Dimension - Height mm	94.2 mm
Dimension - L Length Overall mm	51 mm
Dimension - Length Overall inch	2.00 in
Dimension - Width fraction	3-1/8 in
Dimension - Width inch	3.12 in
Dimension - Width mm	79 mm

## Conductor Related

Conductor - ACSR Str Run Range	397.5 kcmil - 900 kcmil
Conductor - ACSR Str Tap Range	3/0 ACSR - 900 kcmil
Conductor - AL Str Run Range	500 kcmil- 1000 kcmil
Conductor - AL Str Tap Range	3/0 str.- 1000 kcmil
Conductor - Copper Str Run Range	500 kcmil- 1000 kcmil
Conductor - Copper Str Tap Range	3/0 str.- 1000 kcmil
Conductor Type	<ul style="list-style-type: none"> <li>• AL C Str-Run</li> <li>• CU C Str-Run</li> <li>• ACSR C Cmpt-Run</li> <li>• AAAC C 5005-Run</li> <li>• AAAC C 6201-Run</li> <li>• AL C Str-Tap</li> <li>• CU C Str-Tap</li> <li>• ACSR C Cmpt-Tap</li> <li>• AAAC C 5005-Tap</li> <li>• AAAC C 6201-Tap</li> </ul>

## Certifications And Compliance

Buy American Compliant	Yes
Certification - CSA Approved	No
Certification - ETL	No
Certification - UL Recognized	No
Certification - cULus	No
Standards - RoHS Compliance Status	CM
UL Listed	No

## Logistics

Minimum Pack Quantity	1
-----------------------	---

## Product Assets

[Catalogs - BURNDY Master Catalog - Section A - Mechanical](#)  
[Catalogs - BURNDY Master Catalog - Full Line BURNDY Catalog](#)  
[Customer Notices - Prop 65 Notice](#)



**A Hubbell brand**