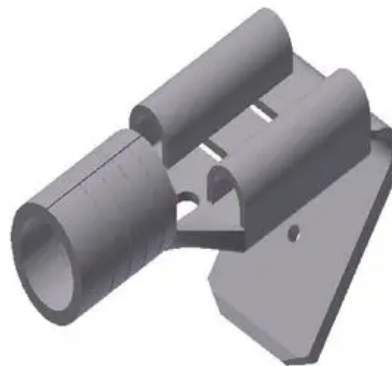




# PG1425X03D, Uninsulated Male/Female Combination Quick Disconnect For 16 - 14 AWG (.25 x .03)

By Burndy  
Catalog # PG1425X03D



Uninsulated Male/Female Combination Quick Disconnect For 16 - 14 AWG (.25 x .03).

## Features

- Tin-Plated piggy-back connectors are designed to allow for additional terminals to be connected
- Sleeved barrel
- Funnel entry barrel opening assures quick and easy wire insertion
- Dimpled female socket detent assure firm grip

## General

Catalog Number	PG1425X03D
Connector Type	Male/Female Quick Disconnect
Material	Brass
Plated	Y
Plating Type	Tin
Type	Disconnect Connectors
UPC	781810530580
UPC 12 Digit	7818105305800

## Dimensions

Dimension - B Length inch	0.17 in
Dimension - Length Overall inch	0.79 in
Dimension - Strip Length inch	3/8 in
Dimension - Width inch	0.25 in
Dimension - Width mm	6 mm

## Conductor Related

Conductor Range	#16 AWG to #14 AWG
Conductor Size	16 - 14 AWG
Conductor Type	<ul style="list-style-type: none"><li>• CU C Solid-Size</li><li>• CU C Str-Size</li></ul>

## Certifications And Compliance

Standards - RoHS Compliance Status	CM
------------------------------------	----

## Logistics

Carton Quantity	1000
Minimum Pack Quantity	100

## Product Assets

- [3D Models - PG1425X03D\\_MODEL-STEP](#)
- [3D Models - PG1425X03D\\_MODEL-PDF](#)
- [3D Models - PG1425X03D\\_MODEL-IGES](#)
- [Catalogs - BURNDY Master Catalog - Full Line BURNDY Catalog](#)
- [Catalogs - BURNDY Master Catalog - Section B - Small Compression](#)
- [Interactive Catalog - BURNDY Full-Line Digital Catalog](#)
- [Sales Drawings - 50094216](#)
- [Specifications - PG1425X03D](#)