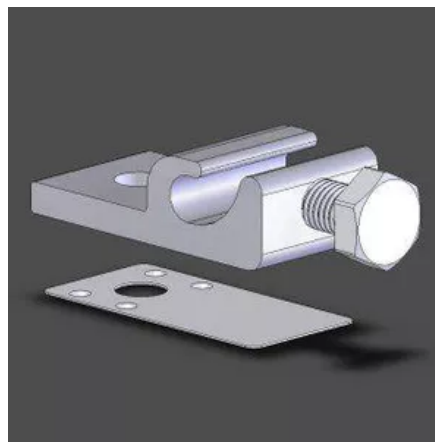




## WEEB-LUG-10.3, Lay-in lug with WEEB Washer; Tin Plated Copper Lug, M10 or 3/8" hardware NOT included

By Burndy  
Catalog # [WEEB-LUG-10.3](#)



Lay-in lug assembly - 100 per box, 1 assy incl (1) Tin pltd CU lug  
(1) 1/4-28X5/8 (1)WEEB-11.5

### Features

- UL 467 Listed, UL 2703 Listed
- Made of corrosion-resistant, tin-plated copper
- Design ensures a quick and easy installation
- Available with or without WEEB washer technology, assembled or unassembled, with or without installation hardware

### Application

WEEB grounding lugs are high quality solutions for your grounding needs. The tin-plated lug assures minimum contact resistance and protection against corrosion. The low profile allows installation in a variety of positions with one solid or stranded copper wire (14 AWG to 6 AWG), or two copper wires (12 AWG to 10 AWG) secured by a 1/4-28 stainless steel screw, horizontal to the tang. The WEEB® Grounding Lug is installed using stainless steel mounting hardware. When tightened, the WEEB® washer's specialized teeth embed into coated metal surfaces or any electrically conductive metal to establish a reliable electrical connection. Available with or without varying hardware assembled or unassembled. UL467 and UL2703 listed.

### General

Catalog Number	WEEB-LUG-10.3
EU RoHS Indicator	Contact Manufacturer
Item Type	4D
UPC	781810671078
UPC 12 Digit	70781810671077

### Dimensions

Bolt Size	5/16 in
Dimension - Thread Size	-

### Certifications And Compliance

Buy American Compliant	Contact Manufacturer
Certified Listed	UL2703
Industry Standard(s)	UL2703
Standards - RoHS Compliance	CM
Status	

### Logistics

Carton Quantity	100
Pallet Quantity	14800

### Product Assets

[Brochures - WEEB Washer Guide and WEEB Washer Theory](#)  
[Catalogs - BURNDY Master Catalog - Section E4 - Wiley Grounding](#)  
[Catalogs - BURNDY Master Catalog - Section G - Wire Management](#)  
[Catalogs - BURNDY Master Catalog - Full Line BURNDY Catalog](#)  
[Certifications - UL Certificate of Compliance, UL 2703](#)  
[Certifications - Certificate of Compliance, UL 2703](#)  
[Customer Notices - Prop 65 Notice](#)  
[Interactive Catalog - BURNDY Full-Line Digital Catalog](#)  
[Sales Drawings - 50043617](#)  
[Sell Sheets - WEEB Grounding Lugs with T-Bolt Option](#)  
[Specifications - WEEB-LUG-10.3](#)