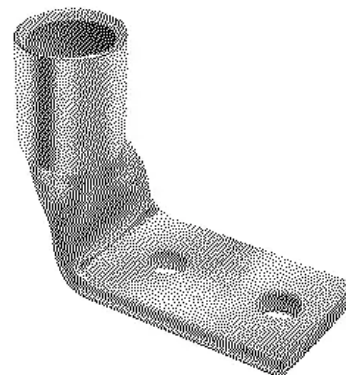


YA2CL2TC1490, Compression Terminal, #2 AWG, 2-Hole, 1/4" Hole, 5/8" Spacing, Standard Barrel, 90 Degree

By Burndy
Catalog # [YA2CL2TC1490](#)

2 AWG CU, Two Hole, 1/4 Stud Size, 5/8 Hole Spacing, Standard Barrel, Inspection Window, Internal Chamfer, Tin Plated, UL/CSA, 90°C, Up to 35kV, Brown Color Code, 10 Die Index, 90 Degree.



Features

- Barrel designed with internal chamfer at wire entry for smooth insertion of wire, preventing possible damage of the strands
- Standard barrel length is recommended for installations with limited space availability
- Electro-tin plated unless otherwise specified to reduce galvanic corrosion (bimetallic) and resist corrosive elements
- Connectors are clearly marked with stamping and barrel color coding
- 2-Hole design prevents rotation

Application

Wire Termination

General

Catalog Number	YA2CL2TC1490
Color Code	Brown
Connector Type	STANDARD BARREL
Die Index	10
EU RoHS Indicator	Yes
Feature - Barrel Style	<ul style="list-style-type: none"> • Chamfered • Skived
Feature - Barrel Type	Standard
Finish Type	Tin-Plated
Material	COPPER
Physical Attribute - Number of Holes	2
Plated	Y
Plating Type	Electro Tin Plated
Sub Brand	TERMINALS, HYLUG
Temperature Rating	194
Trade Name	HYLUG™
Type	Standard Barrel, Tin Plated
UPC	781810251294
UPC 12 Digit	7818102512944

Dimensions

Dimension - B Length inch 0.88 in

Dimension - Bolt Hole Size inch	0.27 in
Dimension - Bolt Size fraction	1/4
Dimension - Bolt Size inch	0.25
Dimension - D inch	1.27 in
Dimension - Height inch	1.37 in
Dimension - Hole Size fraction	1/4
Dimension - Hole Size inch	0.27
Dimension - Hole Size mm	6.9 mm
Dimension - L Length Overall mm	24 mm
Dimension - Length Overall inch	0.95 in
Dimension - N inch	0.31 in
Dimension - Outside Diameter inch	0.42 in
Dimension - Pad Width inch	0.60 in
Dimension - Strip Length inch	15/16
Dimension - Stud Size fraction	1/4
Dimension - Stud Size inch	1/4
Dimension - Z (inch)	0.33 in
Physical Attribute - Tongue Angle	90 Degree

Electrical Ratings

Voltage - Maximum	35000
Voltage Rating	35 kV

Conductor Related

Conductor - Copper Str Navy Size	60 (37) Navy
Conductor - Copper Str Navy Size Range	60 (37) Navy
Conductor - Copper Str Size	2 AWG
Conductor - Copper Str Size Range	2 AWG
Conductor - Material	COPPER
Conductor Size	2 AWG
Conductor Type	CODE

Certifications And Compliance

Buy American Compliant	Yes
Certification - CSA Approved	Yes
Certification - ETL	No
Certification - UL Recognized	No
Certification - cULus	No
Industry Standard(s)	UL 486A-486B
Standards - Industry Standards Met	UL 486A-486B
Standards - RoHS Compliance Status	CM
UL Listed	Yes

Logistics

Carton Quantity	25
Minimum Pack Quantity	1

Product Assets

- [Catalogs - BURNDY Master Catalog - Full Line BURNDY Catalog](#)
- [Customer Notices - Prop 65 Notice](#)
- [Interactive Catalog - BURNDY Full-Line Digital Catalog](#)
- [Sales Drawings - se209512-12](#)
- [Specifications - YA2CL2TC1490](#)
- [Video - HYDENT Compression Terminal Overview Video](#)



A Hubbell brand

©2024 Hubbell Incorporated. All rights reserved
BRDY-YA2CL2TC1490-SPEC-EN | REV 10/2024