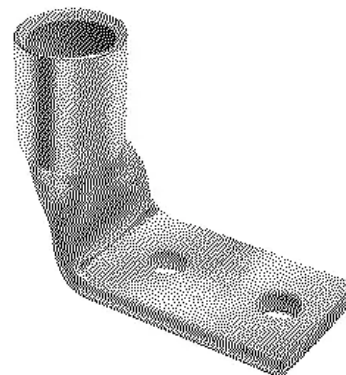




YA6CL2TC14E290, Compression Terminal, #6 AWG Cu, 2-Hole, 1/4" Stud, 3/4" Spacing, Standard Barrel, 90 Degree

By Burndy
Catalog # YA6CL2TC14E290



6 AWG CU, Two Hole, 1/4 Stud Size, 3/4 Hole Spacing, Standard Barrel, Inspection Window, Internal Chamfer, Tin Plated, UL/CSA, 90°C, Up to 35kV, Blue Color Code, 7 or 374 Die Index.

Features

- Barrel designed with internal chamfer at wire entry for smooth insertion of wire, preventing possible damage of the strands
- Standard barrel length is recommended for installations with limited space availability
- Electro-tin plated unless otherwise specified to reduce galvanic corrosion (bimetallic) and resist corrosive elements
- Connectors are clearly marked with stamping and barrel color coding
- 2-Hole design prevents rotation

Application

Wire Termination

General

Catalog Number	YA6CL2TC14E290
Color Code	Blue
Connector Type	STANDARD BARREL
Die Index	7
EU RoHS Indicator	Yes
Feature - Barrel Style	Chamfered
Feature - Barrel Type	Standard
Finish Type	Tin-Plated
Material	COPPER
Physical Attribute - Number of Holes	2
Plated	Y
Plating Type	Tin
Sub Brand	TERMINALS, HYLUG
Trade Name	HYLUG™
Type	Standard Barrel, Tin Plated
UPC	781810252123
UPC 12 Digit	7818102521233

Dimensions

Dimension - B Length fraction	9/16 in
Dimension - B Length inch	0.54 in
Dimension - Bolt Hole Size inch	0.25 in

Dimension - Bolt Size fraction	1/4
Dimension - Bolt Size inch	0.25
Dimension - Height inch	0.91 in
Dimension - Hole Size fraction	1/4
Dimension - Hole Size inch	0.27
Dimension - Hole Size mm	6.9 mm
Dimension - Inside Diameter inch	0.2 in
Dimension - L Length Overall mm	35 mm
Dimension - Length Overall inch	1.38 in
Dimension - N inch	0.31 in
Dimension - Outside Diameter inch	0.29 in
Dimension - Pad Width inch	0.45 in
Dimension - Strip Length inch	5/8 in
Dimension - Stud Size fraction	1/4
Dimension - Stud Size inch	1/4 in
Dimension - Z (inch)	0.34 in
Physical Attribute - Tongue Angle	90 Degree

Electrical Ratings

Voltage - Maximum	35000
Voltage Rating	35 kV

Conductor Related

Conductor - Copper Solid Size	6 AWG
Conductor - Copper Str Size	6 AWG
Conductor - Copper Str Size Range	6 AWG
Conductor - Material	COPPER
Conductor Size	6 AWG
Conductor Type	CODE

Certifications And Compliance

Buy American Compliant	Yes
Certification - CSA Approved	Yes

Certification - ETL	No
Certification - UL Recognized	No
Certification - cULus	No
Industry Standard(s)	UL 486A-486B
Standards - Industry Standards Met	UL 486A-486B
Standards - RoHS Compliance Status	CM
UL Listed	Yes

Logistics

Carton Quantity	50
Minimum Pack Quantity	1

Product Assets

[Catalogs - BURNDY Master Catalog - Full Line BURNDY Catalog](#)

[Customer Notices - Prop 65 Notice](#)

[Interactive Catalog - BURNDY Full-Line Digital Catalog](#)

[Sales Drawings - se209512_4](#)

[Specifications - YA6CL2TC14E290](#)

[Video - HYDENT Compression Terminal Overview Video](#)



A Hubbell brand

©2024 Hubbell Incorporated. All rights reserved
BRDY-YA6CL2TC14E290-SPEC-EN | REV 10/2024