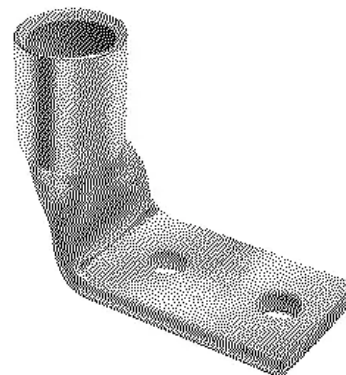


YA6CL2TC3890, Compression Terminal. #6 AWG Cu, 2-Hole, 3/8" Stud, 1" Spacing, Standard Barrel, 90 Degree

By Burndy
Catalog # YA6CL2TC3890



6 AWG CU, Two Hole, 3/8 Stud Size, 1 Hole Spacing, Standard Barrel, Inspection Window, Internal Chamfer, Tin Plated, UL/CSA, 90°C, Up to 35kV, Blue Color Code, 7 or 374 Die Index.

Features

- Barrel designed with internal chamfer at wire entry for smooth insertion of wire, preventing possible damage of the strands
- Standard barrel length is recommended for installations with limited space availability
- Electro-tin plated unless otherwise specified to reduce galvanic corrosion (bimetallic) and resist corrosive elements
- Connectors are clearly marked with stamping and barrel color coding
- 2-Hole design prevents rotation

Application

Wire Termination

General

Catalog Number	YA6CL2TC3890
Color Code	Blue
Connector Type	STANDARD BARREL
Die Index	7
Feature - Barrel Style	<ul style="list-style-type: none"> • Chamfered • Skived
Feature - Barrel Type	Standard
Finish Type	Tin-Plated
Material	COPPER
Physical Attribute - Number of Holes	2
Physical Attribute - Tongue Type	Standard
Plated	Y
Plating Type	Tin - Electro Plated
Trade Name	HYLUG™
Type	Standard Barrel, Tin Plated
UPC	781810146248
UPC 12 Digit	7818101462488

Dimensions

Dimension - B Length fraction	9/16 in
Dimension - B Length inch	0.54 in

Dimension - Bolt Hole Size inch	0.39 in
Dimension - Bolt Size fraction	3/8
Dimension - Bolt Size inch	0.38
Dimension - Height inch	0.88 in
Dimension - Hole Size fraction	3/8
Dimension - Hole Size inch	0.41
Dimension - Hole Size mm	10.4 mm
Dimension - L Length Overall mm	52 mm
Dimension - Length Overall inch	2.06 in
Dimension - N inch	0.41 in
Dimension - Outside Diameter inch	0.29 in
Dimension - Pad Width inch	0.58 in
Dimension - Strip Length inch	5/8 in
Dimension - Stud Size fraction	3/8
Dimension - Stud Size inch	3/8 in
Dimension - Z (inch)	0.42 in
Physical Attribute - Tongue Angle	90 Degree

Electrical Ratings

Voltage - Maximum	35000
Voltage Rating	35 kV

Conductor Related

Conductor - Copper Solid Size	6 AWG
Conductor - Copper Str Size	6 AWG
Conductor - Copper Str Size Range	6 AWG
Conductor - Material	COPPER
Conductor Size	6 AWG
Conductor Type	CODE

Certifications And Compliance

Certification - CSA Approved	Yes
Certification - ETL	No
Certification - UL Recognized	No

Certification - cULus	No
Industry Standard(s)	UL 486A-486B
Standards - Industry Standards Met	UL 486A-486B
Standards - RoHS Compliance Status	CM
UL Listed	Yes

Logistics

Carton Quantity	50
-----------------	----

Minimum Pack Quantity 1

Product Assets

- [Catalogs - BURNDY Master Catalog - Full Line BURNDY Catalog](#)
- [Customer Notices - Prop 65 Notice](#)
- [Interactive Catalog - BURNDY Full-Line Digital Catalog](#)
- [Sales Drawings - se209512-06](#)
- [Specifications - YA6CL2TC3890](#)
- [Video - HYDENT Compression Terminal Overview Video](#)



A Hubbell brand