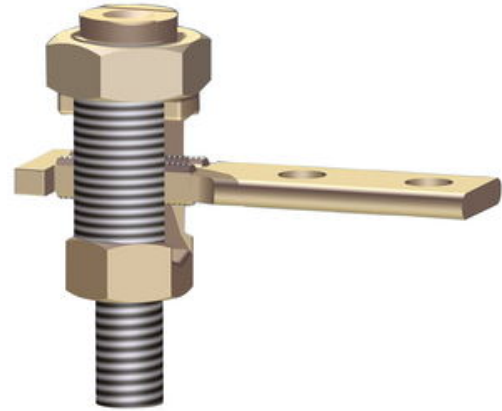




SB232TC14, HandyBug Mechanical Connector, Tap, Splice or Terminate, Drilled Spacer Pad with 1/4" Holes, #8-#2 Copper

By Burndy
Catalog # [SB232TC14](#)



HANDYBUG DRILLED SPACER PAD, 1/4" HOLES, COPPER
CONDUCTOR RANGE: 8 AWG - 2 AWG.

Application

ACCEPTABLE FOR DIRECT BURIAL IN EARTH AND CONCRETE

General

Catalog Number	SB232TC14
EU RoHS Indicator	Yes
Material	Copper Alloy, Tin Plated
Plated	N
Plating Type	Unplated
Stud Installation Torque inch pounds	150 in-lbs
Sub Brand	HANDYBUG
Trade Name	SUPERBUG
Type	HandyBug
UPC	781810677407
UPC 12 Digit	7818106774077

Dimensions

Dimension - L Length Overall mm	0 mm
Dimension - Thread Size	-
Dimension - Width mm	0 mm

Conductor Related

Conductor Range #8 AWG to #2 AWG

Certifications And Compliance

Certification - ETL	No
Certification - cULus	Y
Standards - RoHS Compliance Status	EX

Logistics

Carton Quantity	50
Pallet Quantity	11600

Product Assets

[Catalogs - Full Line BURNDY Catalog](#)
[Catalogs - Section E2 - Mechanical Grounding](#)
[Customer Notices - Prop 65 Notice](#)
[Sales Drawings - 50047814](#)



A proud member of the Hubbell Family.

©2024 Hubbell Incorporated. All rights reserved.
BRDY_CA-SB232TC14-SPEC-EN | REV 6/2024