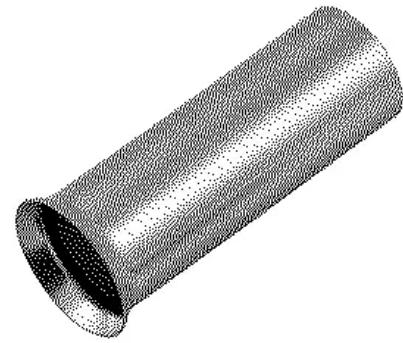




# Single Pole Products, Replacement #2 Ferrule, For #2 AWG, 150 Amp Series

By Bryant  
Catalog # [HBL15F2](#)



Single Pole Products, Replacement #2 Ferrule, For #2 AWG, 150 Amp Series

## Features

- Replacement #2 Ferrule
- For #2 AWG
- 150 Amp Series

## General

Catalog Number	HBL15F2
EU RoHS Indicator	Contact Manufacturer
Series	Series 15
Style	Ferrule # 2 AWG
Type	Accessory
UPC	783585458786

## Electrical Ratings

Amperage Rating	150 A
Current / Amperage Rating	150 A
Voltage Rating Description	600V AC/DC

## Certifications And Compliance

- |                      |  |
|----------------------|--|
| Industry Standard(s) | <ul style="list-style-type: none"><li>• National Electric Code (NEC), ANSI/NFPA 70</li><li>• UL and cUL Listed</li><li>• UL Enclosure Types 3R, 4X, 12</li></ul> |
|----------------------|--|

## Logistics

Carton Quantity	1
-----------------	---

## Product Assets

- [Catalog Page - WDK H-4 Catalog Page](#)
- [Catalogs - WDK Catalog Full 2024](#)
- [Catalogs - Bryant Full Line Catalog](#)
- [Literature - Single Pole Devices](#)
- [Specifications - HBL15F2](#)