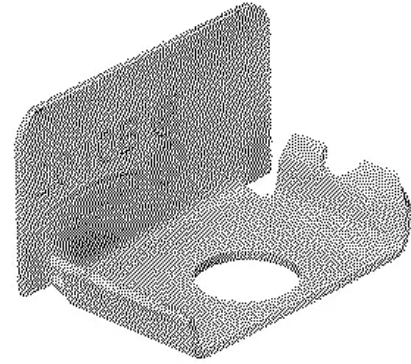




Metal Raceway, End Cap, HBL2000 Series, Gray

By Bryant
Catalog # [HBL2010BGY](#)



Metal Raceway, End Cap, HBL2000 Series, Gray

Features

- Uses HBL 2000 Series raceway and fitting and accessories to customize the install
- Scratch resistant finish
- For use upto 600V AC

General

Catalog Number	HBL2010BGY
Color	Gray
EU RoHS Indicator	Contact Manufacturer
Item Type	HBL2000 Series
Material	Steel
Series	<ul style="list-style-type: none">• HBL2000• HBL2000A• MetalPlugTrak
Specifications	Material - Galvanized Steel
Style	Blank
Type	End Fittings

UPC 783585214238

Certifications And Compliance

Industry Standard(s)	<ul style="list-style-type: none">• CSA Standard C22.2 no. 62• E253976 /E253830 /E253833• UL Standard UL 5
----------------------	--

Logistics

Carton Quantity	25
Pallet Quantity	7350

Product Assets

- [Catalog Page - WDK S-48 Catalog Page](#)
- [Catalog Page - WDK S-12 Catalog Page](#)
- [Catalog Page - WDK S-11 Catalog Page](#)
- [Catalogs - WDK Catalog Full 2024](#)
- [Specifications - HBL2010BGY](#)