



Metal Raceway, 1-Gang Device Box, HBL2000 Series, Gray

By Bryant
Catalog # [HBL2048GY](#)

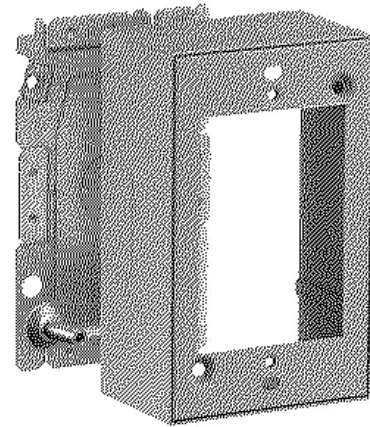
Metal Raceway 1-Gang Device Box, HBL2000 Series

Features

- Rounded corners eliminate sharp edges
- One seam construction provides “clean” look
- Hubbell Handi-Screw® eliminates difficult to install long screws

General

Catalog Number	HBL2048GY
Color	Gray
EU RoHS Indicator	Contact Manufacturer
Item Type	HBL2000 Series
Number of Gang(s)	1-Gang
Series	<ul style="list-style-type: none">• HBL2000• HBL2000A• MetalPlugTrak• Material - Galvanized Steel• Style - 1-Gang
Specifications	Deep
Style	Deep



Type
UPC

Boxes
783585214429

Certifications And Compliance

Industry Standard(s)

- CSA Standard C22.2 no. 62
- E253976 /E253830 /E253833
- UL Standard UL 5

Logistics

Carton Quantity 20

Product Assets

[Catalog Page - WDK S-48](#) [Catalog Page](#)
[Catalog Page - WDK S-12](#) [Catalog Page](#)
[Catalog Page - WDK S-10](#) [Catalog Page](#)
[Catalogs - WDK Catalog Full 2024](#)
[Specifications - HBL2048GY](#)