

## IEC Pin and Sleeve

20 A, 480 VAC, 2-POLE, 3-WIRE

## Inlet

### Features

- IP67 environmental ratings
- Impact and corrosion resistant insulated non-metallic housing
- Sequential contact engagement to prevent a momentary over-voltage
- Color coded housings provide quick identification of mating devices
- Shrouded pins to protect from impact and abuse

# BRYANT®



### Ordering Information

| Description                             | Series          | Color | UPC Number   | Catalog Number |
|---|-----------------|-------|--------------|----------------|
| Heavy Duty Products, IEC Pin and Sleeve | Watertight IP67 | Red   | 781786781030 | BRY320B7W      |

### Listings

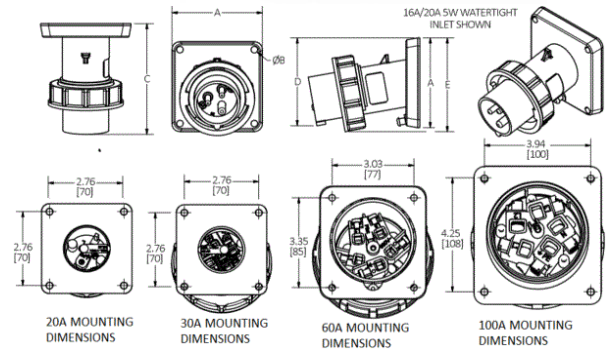
All constructions are UL Listed & cUL Listed  
File E14632  
UL1686 Standard for Pin & Sleeve Configurations  
CE

### Specifications

|             |                           |
|-------------|---------------------------|
| Application | High Ampacity Connections |
| Connection  | Pressure Screw Terminal   |
| Wire Size   | #14AWG to #12AWG          |
| Material    | PBT                       |
| Mounting    | Screw Mount               |

### Performance

| Electrical              |   |
|-------------------------|---|
| Dielectric Voltage      | Withstand 3000V AC  |
| Max. Working Voltage    | 600V AC RMS   |
| Mechanical              |   |
| Impact Resistance       | Per CSA C22.2 No. 182.1 / UL1682  |
| Product Identification  | Identification and ratings are marked on device housing                             |
| Terminal Identification | Terminals identified in accordance with North American and IEC conventions          |
| Environmental           |   |
| Flammability            | HB  |
| Ingress Protection      | IP67  |
| Moisture Resistance     | IEC 60309-1   |
| Temperature Rating      | Maximum Continuous: 75° C; Minimum Continuous: -40° C w/o impact, -25° with impact. |



### Complementary Products

Complementary Products

Adapter Plate, Back Box

### Online Resources

Customer Sales Drawings  
eCatalog

# BRYANT®