

## IEC Pin and Sleeve

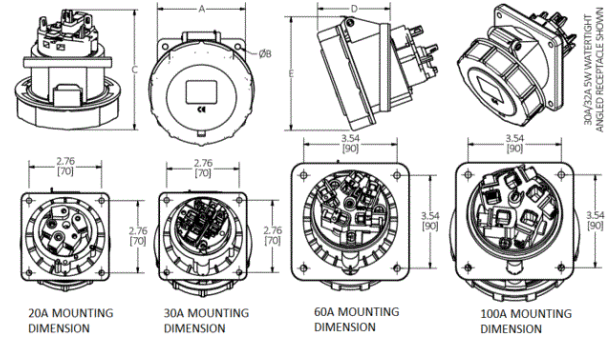
60 A, 125 VAC, 2-POLE, 3-WIRE

## Angled Receptacle

# BRYANT®

### Features

- IP67 environmental ratings
- Impact and corrosion resistant insulated non-metallic housing
- Sequential contact engagement to prevent a momentary over-voltage
- Color coded housings provide quick identification of mating devices



### Ordering Information

Description	Series	Color	UPC Number	Catalog Number
Heavy Duty Products, IEC Pin and Sleeve	Watertight IP67	Yellow	781786783270	<b>BRY360AR4W</b>

### Complementary Products

Complementary Products      Adapter Plate, Back Box

### Listings

All constructions are UL Listed & cUL Listed  
File E14632  
UL1686 Standard for Pin & Sleeve Configurations  
CE

### Specifications

Application	High Ampacity Connections
Connection	Pressure Screw Terminal
Wire Size	#6AWG to #4AWG
Material	PBT
Mounting	Screw Mount

### Performance

Electrical	
Dielectric Voltage	Withstand 3000V AC
Max. Working Voltage	600V AC RMS
Mechanical	
Impact Resistance	Per CSA C22.2 No. 182.1 / UL1682
Product Identification	Identification and ratings are marked on device housing
Terminal Identification	Terminals identified in accordance with North American and IEC conventions
Environmental	
Flammability	HB
Ingress Protection	IP67
Moisture Resistance	IEC 60309-1
Temperature Rating	Maximum Continuous: 75° C; Minimum Continuous: -40° C w/o impact, -25° with impact.

### Online Resources

Customer Sales Drawings  
eCatalog

# BRYANT®