

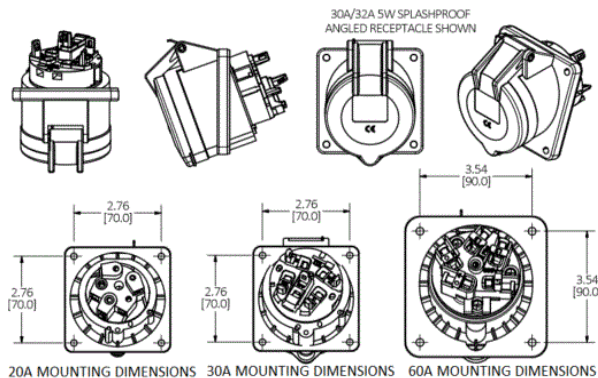
## IEC Pin and Sleeve

60/63 A, 3 Phase 200-250 VAC, 3-POLE, 4-WIRE

### Angled Receptacle

#### Features

- IP44 environmental ratings
- Impact and corrosion resistant insulated non-metallic housing
- Sequential contact engagement to prevent a momentary over-voltage
- Color coded housings provide quick identification of mating devices



#### Ordering Information

Description	Series	Color	UPC Number	Catalog Number
Heavy Duty Products, Splash Proof IEC Pin and Sleeve Devices, Female, Receptacle		Blue	781786785397	<b>BRY460AR9S</b>

#### Listings

All constructions are UL Listed & cUL Listed  
File E14632  
UL1686 Standard for Pin & Sleeve Configurations  
VDE, CE

#### Specifications

Application	High Ampacity Connections
Connection	Pressure Screw Terminal
Wire Size	#6AWG to #4AWG
Material	PBT
Mounting	Screw Mount

#### Performance

##### Electrical

Dielectric Voltage	Withstand 3000V AC
Max. Working Voltage	600V AC RMS

##### Mechanical

Impact Resistance	Per CSA C22.2 No. 182.1 / UL1682
Product Identification	Identification and ratings are marked on device housing
Terminal Identification	Terminals identified in accordance with North American and IEC conventions

##### Environmental

Flammability	HB
Ingress Protection	IP44
Moisture Resistance	IEC 60309-1
Temperature Rating	Maximum Continuous: 75° C; Minimum Continuous: -40° C w/o impact, -25° with impact.

# BRYANT®

#### Related Products

Complementary Products

Adapter Plate, Back Box

#### Online Resources

Customer Sales Drawings  
eCatalog

# BRYANT®