

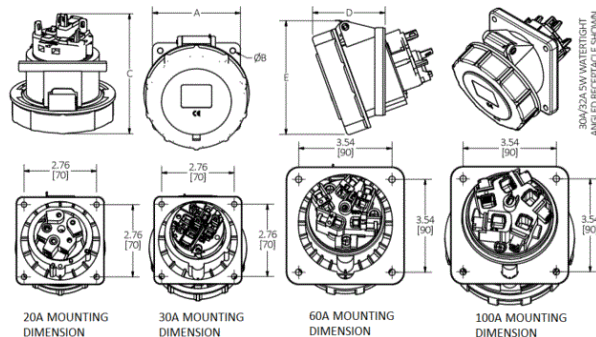
IEC Pin and Sleeve

60/63 A, 3 Phase 200-250 VAC, 3-POLE, 4-WIRE

Angled Receptacle

Features

- IP67 environmental ratings
- Impact and corrosion resistant insulated non-metallic housing
- Sequential contact engagement to prevent a momentary over-voltage
- Color coded housings provide quick identification of mating devices



Ordering Information

Description	Series	Color	UPC Number	Catalog Number
Heavy Duty Products, Watertight IEC Pin and Sleeve Devices, Female, Receptacle	IP67	Blue	781786783331	BRY460AR9W

Listings

All constructions are UL Listed & cUL Listed
File E14632
UL1686 Standard for Pin & Sleeve Configurations
VDE, CE

Specifications

Application	High Ampacity Connections
Connection	Pressure Screw Terminal
Wire Size	#6AWG to #4AWG
Material	PBT
Mounting	Screw Mount

Performance

Electrical	
Dielectric Voltage	Withstand 3000V AC
Max. Working Voltage	600V AC RMS
Mechanical	
Impact Resistance	Per CSA C22.2 No. 182.1 / UL1682
Product Identification	Identification and ratings are marked on device housing
Terminal Identification	Terminals identified in accordance with North American and IEC conventions
Environmental	
Flammability	HB
Ingress Protection	IP67
Moisture Resistance	IEC 60309-1
Temperature Rating	Maximum Continuous: 75° C; Minimum Continuous: -40° C w/o impact, -25° with impact.

Related Products

Complementary Products

Adapter Plate, Back Box

Online Resources

Customer Sales Drawings
eCatalog