

IEC Pin and Sleeve

60 A, 3 Phase 480 VAC, 3-POLE, 4-WIRE

Inlet

Features

- IP44 environmental ratings
- Impact and corrosion resistant insulated non-metallic housing
- Sequential contact engagement to prevent a momentary over-voltage
- Color coded housings provide quick identification of mating devices
- Shrouded pins to protect from impact and abuse



Ordering Information

| Description | Series | Color | UPC Number | Catalog Number |
|---|--------------|-------|--------------|------------------|
| Heavy Duty Products, IEC Pin and Sleeve | Splash Proof | Red | 781786783829 | BRY460B7S |

Listings

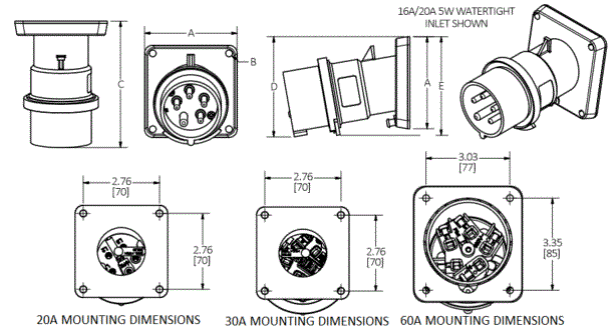
All constructions are UL Listed & cUL Listed
 File E14632
 UL1686 Standard for Pin & Sleeve Configurations
 CE

Specifications

| | |
|-------------|---------------------------|
| Application | High Ampacity Connections |
| Connection | Pressure Screw Terminal |
| Wire Size | #6AWG to #4AWG |
| Material | PBT |
| Mounting | Screw Mount |

Performance

| | |
|-------------------------|---|
| Electrical | |
| Dielectric Voltage | Withstand 3000V AC |
| Max. Working Voltage | 600V AC RMS |
| Mechanical | |
| Impact Resistance | Per CSA C22.2 No. 182.1 / UL1682 |
| Product Identification | Identification and ratings are marked on device housing |
| Terminal Identification | Terminals identified in accordance with North American and IEC conventions |
| Environmental | |
| Flammability | HB |
| Ingress Protection | IP44 |
| Moisture Resistance | IEC 60309-1 |
| Temperature Rating | Maximum Continuous: 75° C; Minimum Continuous: -40° C w/o impact, -25° with impact. |



Complementary Products

Complementary Products

Adapter Plate, Back Box

Online Resources

Customer Sales Drawings
 eCatalog