

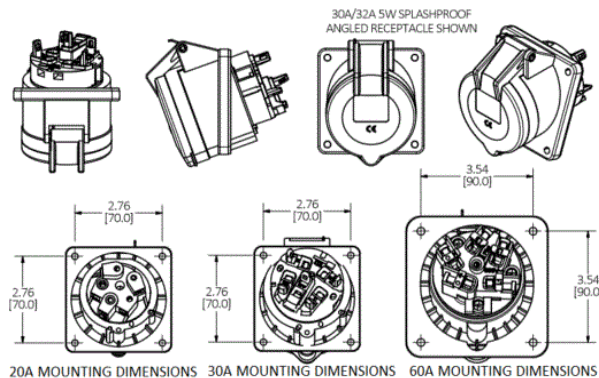
## IEC Pin and Sleeve

30/32 A, 120/208 VAC, 4-POLE, 5-WIRE

### Angled Receptacle

#### Features

- IP44 environmental ratings
- Impact and corrosion resistant insulated non-metallic housing
- Sequential contact engagement to prevent a momentary over-voltage
- UL approved screwless terminations
- Color coded housings provide quick identification of mating devices



#### Ordering Information

Description	Series	Color	UPC Number	Catalog Number
Heavy Duty Products, IEC Pin and Sleeve	Splash Proof	Blue	781786785328	<b>BRY530AR9S</b>

#### Complementary Products

Complementary Products      Adapter Plate, Back Box

#### Listings

All constructions are UL Listed & cUL Listed  
File E14632  
UL1686 Standard for Pin & Sleeve Configurations  
VDE, CE

#### Specifications

Application	High Ampacity Connections
Connection	Screwless Spring
Wire Size	#10AWG to #8AWG
Material	PBT
Mounting	Screw Mount

#### Performance

<b>Electrical</b>	
Dielectric Voltage	Withstand 3000V AC
Max. Working Voltage	600V AC RMS
<b>Mechanical</b>	
Impact Resistance	Per CSA C22.2 No. 182.1 / UL1682
Product Identification	Identification and ratings are marked on device housing
Terminal Identification	Terminals identified in accordance with North American and IEC conventions
<b>Environmental</b>	
Flammability	HB
Ingress Protection	IP44
Moisture Resistance	IEC 60309-1
Temperature Rating	Maximum Continuous: 75° C; Minimum Continuous: -40° C w/o impact, -25° with impact.