

**Features**

- Patented CIRCUITPRO® self test technology
- Internal back wiring clamp and guide for quick and secure termination
- Triple wipe construction

**Ordering Information**

Description	Color	UPC	Catalog Number
20A, 125V, blank face, CIRCUITPRO® self test GFCI receptacle, flush face, back and side wired, multiple drive screws	Red	883778122224	<b>GFBFST20R</b>

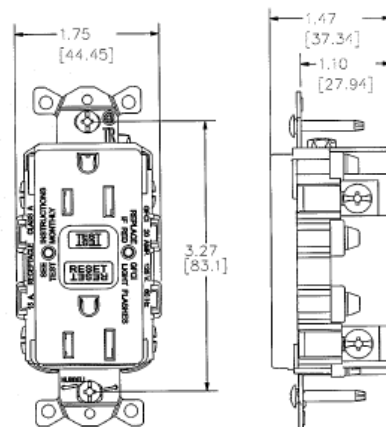


**Listings**

UL Listed - Canadian and U.S.  
Meets ADA Standards  
Meets all NEC® requirements  
CSA Certified  
NEMA® WD-6 Compliant

**Specifications**

Face	Nylon
Base	Nylon
Power Contacts	Brass
Ground Contacts	Brass
Mounting Strap	Zinc plated steel
Mounting Screws	Zinc plated steel



**Online Resources**

Customer Use Drawing  
eCatalog  
Installation Instructions