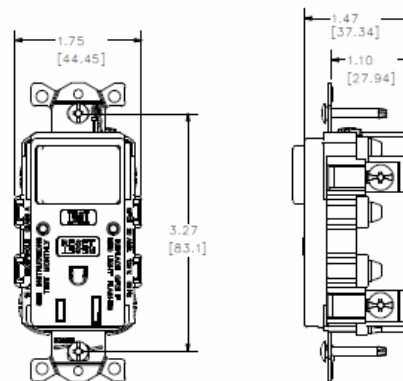


Features

- Patented shutter design for tamper-resistant
- Compliant with NEC® 406.12 and NEC® 517-18(c)
- Patented CIRCUITPRO® self test technology
- Triple wipe construction

Ordering Information

Description	Color	UPC	Catalog Number
15A, 125V, combination switch and power, CIRCUITPRO® self test GFCI receptacle, tamper-resistant, flush face, back and side wired, multiple drive screws	Ivory	883778124600	GFSPST15I



Listings

UL Listed - Canadian and U.S.
Meets ADA Standards
Meets all NEC® requirements
CSA Certified
NEMA® WD-6 Compliant

Specifications

Face	Nylon
Base	Nylon
Power Contacts	Brass
Ground Contacts	Brass
Mounting Strap	Zinc plated steel
Mounting Screws	Zinc plated steel

Online Resources

Customer Use Drawing
eCatalog
Installation Instructions