

Raceway
Metal Raceway
HBL500 Series Base and Cover



Features

- Available in 10 foot lengths
- Packed 100 feet per carton
- HBL5701C coupling furnished with each length

Ordering Information

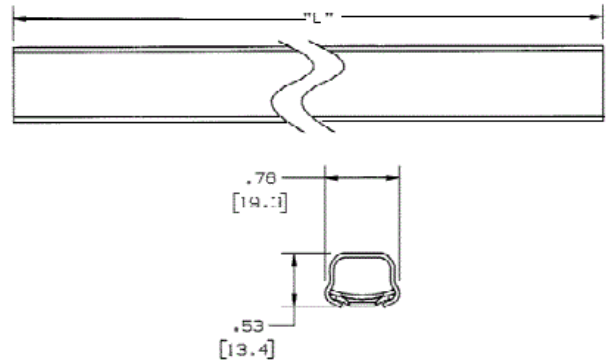
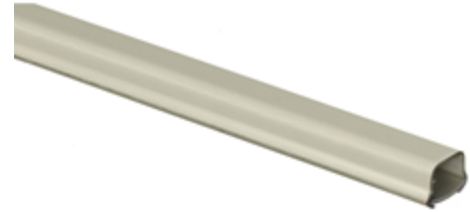
Description	Color	UPC Number	Catalog Number
Base and Cover	Ivory	783585216652	HBL50010IV

Listings

UL Listed
CSA Certified

Specifications

Height	0.53 inches
Width	0.76 inches
Length	10 feet



Online Resources

Customer Use Drawing
eCatalog
Installation Instructions

Dimensions in Inches (mm)

Bryant Electric • An affiliate of Hubbell Incorporated (Delaware) • 40 Waterview Drive • Shelton, CT 06484
Phone (800) 323-2792 • Specifications subject to change without notice