

**Raceway**  
**Metal Raceway**  
**HBL500 Series Base and Cover**



**Features**

- Available in 10 foot lengths
- Packed 100 feet per carton
- HBL5701C coupling furnished with each length



**Ordering Information**

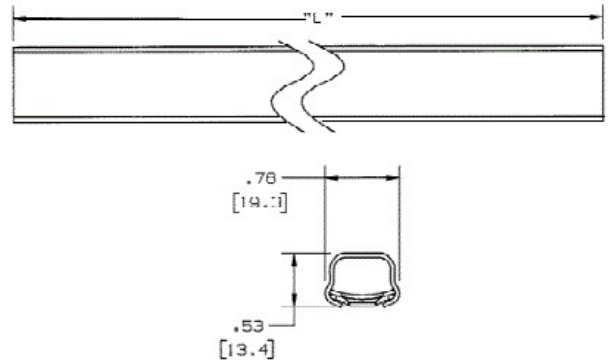
| Description    | Color | UPC Number   | Catalog Number |
|----------------|-------|--------------|----------------|
| Base and Cover | White | 783585145204 | HBL50010IV     |

**Listings**

UL Listed  
CSA Certified

**Specifications**

|        |             |
|--------|-------------|
| Height | 0.53 inches |
| Width  | 0.76 inches |
| Length | 10 feet     |



**Online Resources**

Customer Use Drawing  
eCatalog  
Installation Instructions

Dimensions in Inches (mm)

Bryant Electric • An affiliate of Hubbell Incorporated (Delaware) • 40 Waterview Drive • Shelton, CT 06484  
Phone (800) 323-2792 • Specifications subject to change without notice