

Raceway Metal Raceway HBL500 Series Mounting Strap

BRYANT

Features

- For mounting HBL500, HBL700 or HBL750 Raceway to surface.
- Convert to one-hole by breaking off at score.

Ordering Information

Description	Color	UPC Number	Catalog Number
Mounting Strap	Ivory	783585216690	HBL504IV

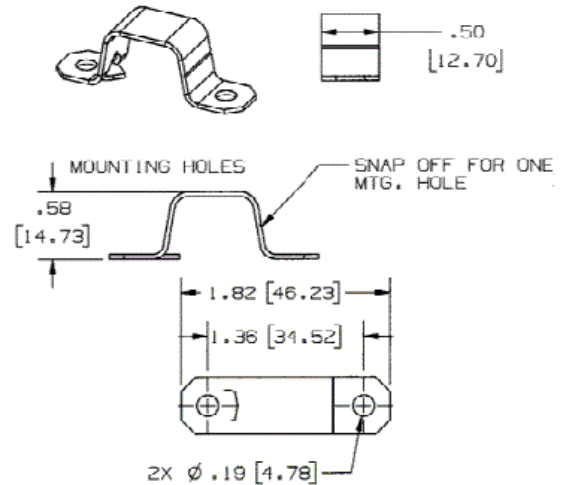


Listings

UL Listed
CSA Certified

Specifications

Height	0.58"
Width	0.50"
Length	1.50"



Online Resources

Customer Use Drawing
eCatalog
Installation Instructions

Dimensions in Inches (mm)

Bryant Electric • An affiliate of Hubbell Incorporated (Delaware) • 40 Waterview Drive • Shelton, CT 06484
Phone (800) 323-2792 • Specifications subject to change without notice