

# Raceway Metal Raceway HBL500 Series Mounting Strap

# BRYANT

## Features

- For mounting HBL500, HBL700 or HBL750 Raceway to surface.
- Convert to one-hole by breaking off at score.

## Ordering Information

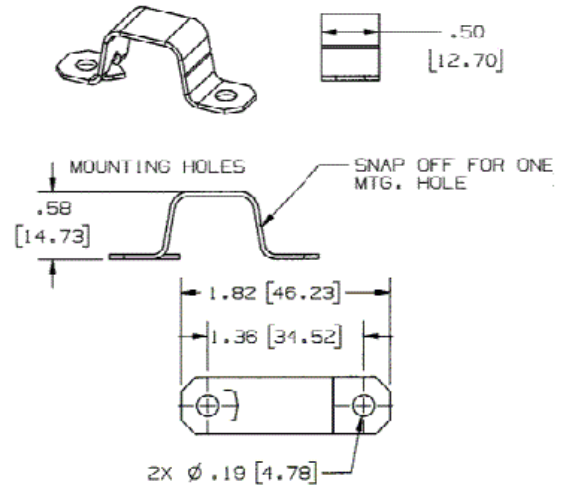
Description	Color	UPC Number	Catalog Number
Mounting Strap	White	783585145242	HBL504W

## Listings

UL Listed  
CSA Certified

## Specifications

Height	0.58"
Width	0.50"
Length	1.50"



## Online Resources

Customer Use Drawing  
eCatalog  
Installation Instructions

Dimensions in Inches (mm)

Bryant Electric • An affiliate of Hubbell Incorporated (Delaware) • 40 Waterview Drive • Shelton, CT 06484  
Phone (800) 323-2792 • Specifications subject to change without notice