

Raceway
Metal Raceway
HBL500 Series External Elbow

BRYANT

Features

- For outside surfaces at right angles.

Ordering Information

Description	Color	UPC Number	Catalog Number
External Elbow	Ivory	783585216744	HBL518IV

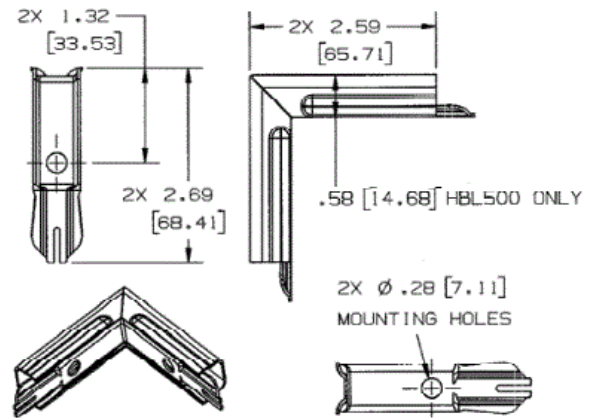


Listings

UL Listed
CSA Certified

Specifications

Height	0.58"
Width	2.59"
Length	2.59"



Online Resources

Customer Use Drawing
eCatalog
Installation Instructions

Dimensions in Inches (mm)

Bryant Electric • An affiliate of Hubbell Incorporated (Delaware) • 40 Waterview Drive • Shelton, CT 06484
Phone (800) 323-2792 • Specifications subject to change without notice