

# Raceway

## Metal Raceway

### Flat Elbow Bend Radius

# BRYANT

#### Features

- For use with HBL500, HBL700 and HBL750 Series Raceway
- For right angle turns requiring a 1.5 in. (38.10) bend radius.
- Suitable for Category 5, 5e, 6 and 6A applications.

#### Ordering Information

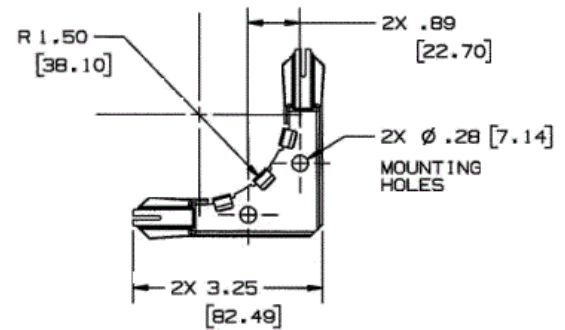
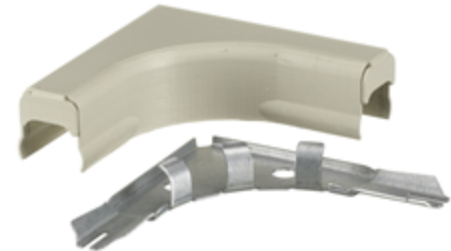
Description	Color	UPC Number	Catalog Number
Flat Elbow Bend Radius	Ivory	783585423050	HBL5711BRIVA

#### Listings

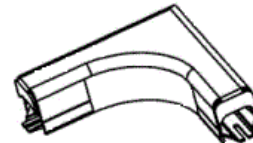
UL Listed  
CSA Certified

#### Specifications

Height	0.91"
Width	3.16"
Length	3.16"



NOTE: ALL DIMENSIONS IN INCHES AND [MM]



#### Online Resources

Customer Use Drawing  
eCatalog  
Installation Instructions

Dimensions in Inches (mm)

Bryant Electric • An affiliate of Hubbell Incorporated (Delaware) • 40 Waterview Drive • Shelton, CT 06484  
Phone (800) 323-2792 • Specifications subject to change without notice