

# Raceway Metal Raceway Specialty Round Boxes

# BRYANT

## Features

- Retrofit Box for Fire Alarm Detectors
- For use with HBL500, HBL700 and HBL750 Series Raceway
- For installing round alarm sensors.

## Ordering Information

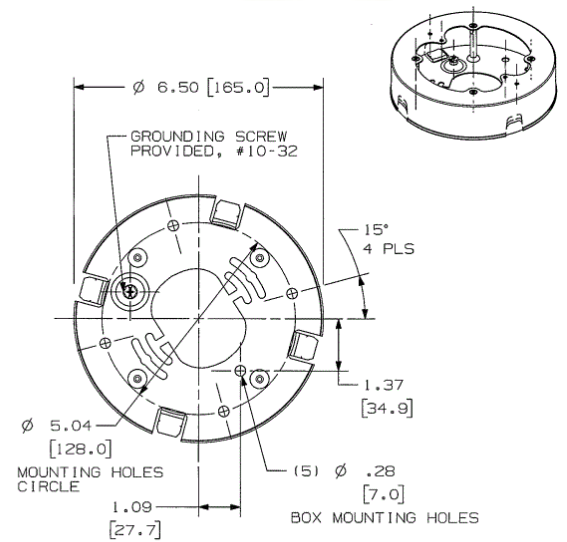
Description	Color	UPC Number	Catalog Number
Specialty Round Boxes	Ivory	783585423319	HBL5739AABIVA

## Listings

UL Listed  
CSA Certified

## Specifications

Height	6.50"
Width	6.50"
Length	1.62"



## Online Resources

eCatalog

Dimensions in Inches (mm)

Bryant Electric • An affiliate of Hubbell Incorporated (Delaware) • 40 Waterview Drive • Shelton, CT 06484  
Phone (800) 323-2792 • Specifications subject to change without notice