

# Raceway Metal Raceway 1-Gang Specialty Boxes

# BRYANT

## Features

- Combination Switch/Recept.
- For use with HBL500, HBL700 and HBL750 Series Raceway
- Connects surface runs of ½ in. trade size conduit, one raceway twistout each side and three raceway twistouts top and bottom.

## Ordering Information

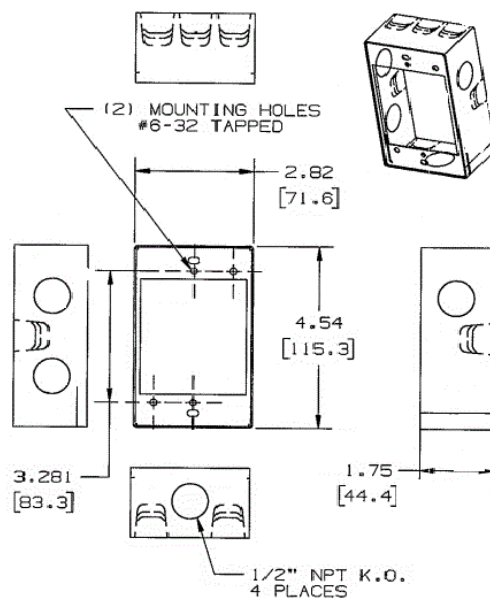
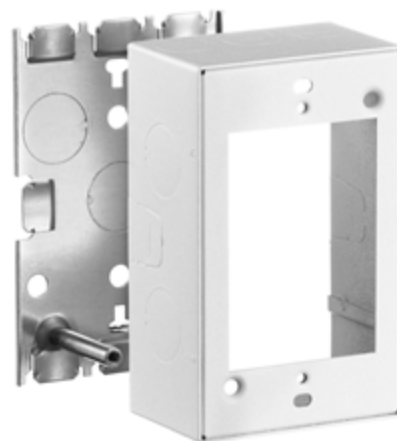
Description	Color	UPC Number	Catalog Number
1-Gang Specialty Boxes	White	783585423470	HBL5745WA

## Listings

UL Listed  
CSA Certified

## Specifications

Height	4.54"
Width	2.82"
Length	1.75"



## Online Resources

eCatalog

Dimensions in Inches (mm)

Bryant Electric • An affiliate of Hubbell Incorporated (Delaware) • 40 Waterview Drive • Shelton, CT 06484  
Phone (800) 323-2792 • Specifications subject to change without notice