

Raceway Metal Raceway Conduit Connector

BRYANT

Features

- For use with HBL500, HBL700 and HBL750 Series Raceway
- For connecting raceway to conduit.
- ½" NPT (13) Female

Ordering Information

Description	Color	UPC Number	Catalog Number
Conduit Connector	Steel	783585217284	HBL5782A

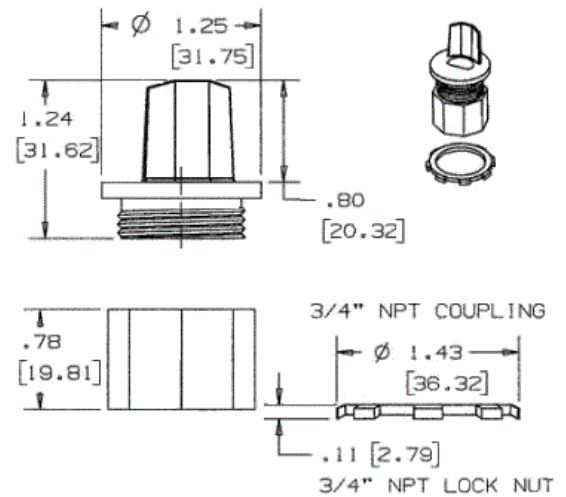


Listings

UL Listed
CSA Certified

Specifications

Height	0.75"
Width	1.75"
Length	0.75"



Online Resources

Customer Use Drawing
eCatalog
Installation Instructions

Dimensions in Inches (mm)

Bryant Electric • An affiliate of Hubbell Incorporated (Delaware) • 40 Waterview Drive • Shelton, CT 06484
Phone (800) 323-2792 • Specifications subject to change without notice