

Raceway Metal Raceway Armored Cable Connector

BRYANT

Features

- For use with HBL500, HBL700 and HBL750 Series Raceway
- For connecting 14/2, 14/3, 12/2 and 12/3 "MC" and armored cable to Hubbell fittings.
- A short piece of HBL500, HBL700 or HBL750 Series Raceway must be used between this connector and the Hubbell fitting.
- Not for connection to ½ in. (12.7) flex conduit.



Ordering Information

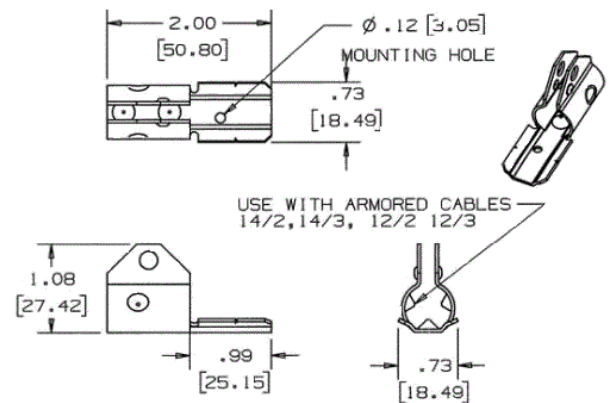
Description	Color	UPC Number	Catalog Number
Armored Cable Connector	Steel	783585217352	HBL5790B

Listings

UL Listed
CSA Certified

Specifications

Height	0.99"
Width	2.00"
Length	0.99"



Online Resources

Customer Use Drawing
eCatalog
Installation Instructions

Dimensions in Inches (mm)

Bryant Electric • An affiliate of Hubbell Incorporated (Delaware) • 40 Waterview Drive • Shelton, CT 06484
Phone (800) 323-2792 • Specifications subject to change without notice