

Raceway
Metal Raceway
1/2 in. EMT Connector

BRYANT

Features

- For use with HBL500, HBL700 and HBL750 Series Raceway
- For connecting raceway to conduit boxes or panel boxes having KO for conduit.

Ordering Information

Description	Color	UPC Number	Catalog Number
1/2 in. EMT Connector	Steel	783585217369	HBL5791

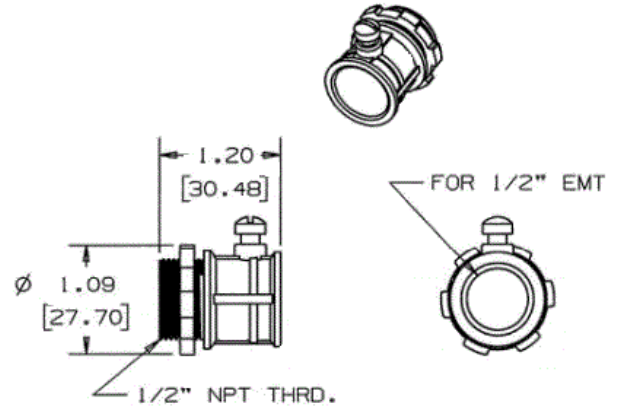


Listings

UL Listed
CSA Certified

Specifications

Height	1.09"
Width	1.20"
Length	1.09"



Online Resources

Customer Use Drawing
eCatalog

Dimensions in Inches (mm)

Bryant Electric • An affiliate of Hubbell Incorporated (Delaware) • 40 Waterview Drive • Shelton, CT 06484
Phone (800) 323-2792 • Specifications subject to change without notice