

# Raceway Metal Raceway Raceway Bender

# BRYANT

## Features

- Portable bender for HBL500, HBL700 or HBL750 Series Raceways.

## Ordering Information

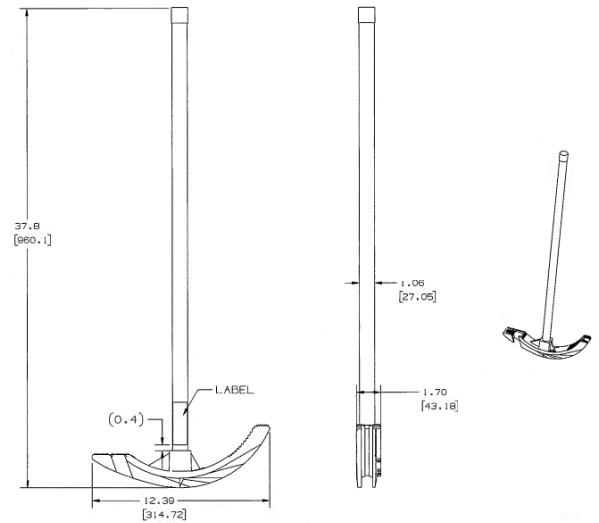
Description	Material	UPC Number	Catalog Number
Raceway Bender	Steel	783585217376	HBL600B

## Listings

UL Listed  
CSA Certified

## Specifications

Height	3'
Width	0.5"
Length	3'



## Online Resources

Customer Use Drawing  
eCatalog  
Installation Instructions

Dimensions in Inches (mm)

Bryant Electric • An affiliate of Hubbell Incorporated (Delaware) • 40 Waterview Drive • Shelton, CT 06484  
Phone (800) 323-2792 • Specifications subject to change without notice