

Wallplate 2.15" Opening 1-Gang

Features

- High-impact, self-extinguishing polycarbonate material
- More rigid; sharp lines and less dimpling
- Smooth satin finish; blends into wall with an optimum finish



Ordering Information

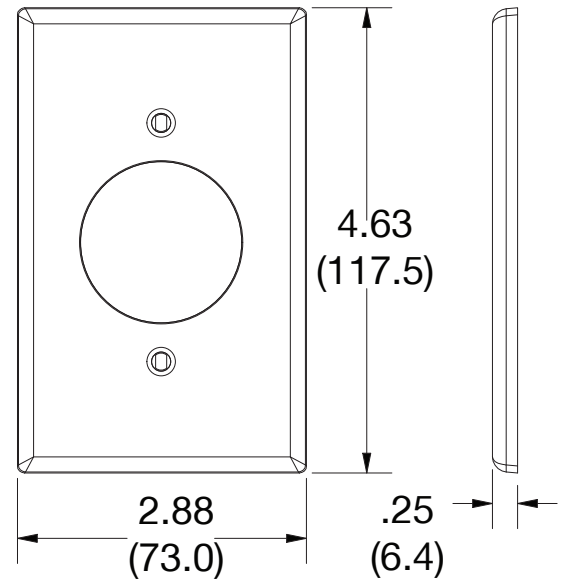
| Description | Gang | Color | UPC Number | Catalog Number |
|--|------|-------|--------------|----------------|
| Wallplate with 1.60" opening, smooth satin finish, for use with locking receptacle | 1 | Red | 883778312762 | P720R |

Listings

cULus Listed

Specifications

| | |
|-----------------|-----------------------------|
| Material | Polycarbonate thermoplastic |
| Thickness | .25 (6.4) |
| Orientation | Orientation |
| Mounting | Screw |
| Mounting Screws | Painted steel |
| Dimensions | 4.63 in x 2.88 in x 0.25 in |
| Flammability | UL 94 V2 |



Dimensions in Inches (mm)

Bryant Electric • An affiliate of Hubbell Incorporated (Delaware) • 40 Waterview Drive • Shelton, CT 06484
Phone (800) 323-2792 • Specifications subject to change without notice