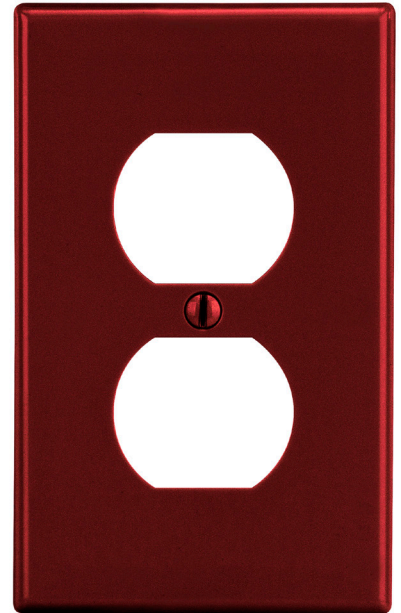


Mid-Size Wallplate Duplex 1-Gang

Features

- High-impact, self-extinguishing polycarbonate material
- More rigid; sharp lines and less dimpling
- Smooth satin finish; blends into wall with an optimum finish
- Captive screw feature on single-gang versions, hold screws in place for quick installation



Ordering Information

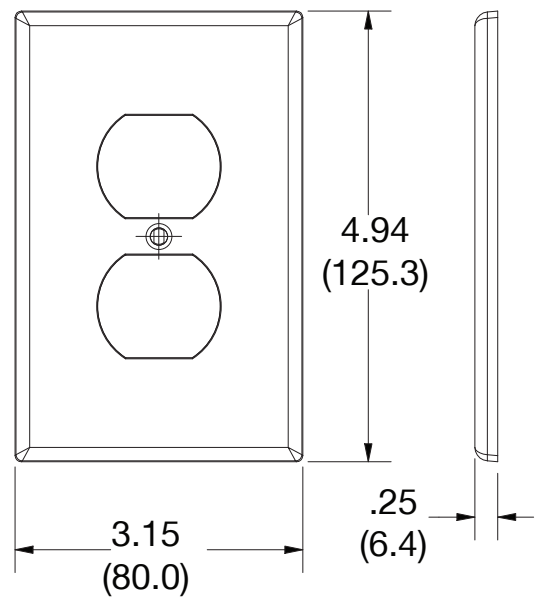
| Description | Gang | Color | UPC Number | Catalog Number |
|--|------|-------|--------------|----------------|
| Duplex wallplate smooth satin finish, for use with duplex receptacle | 1 | Red | 883778314681 | PJ8R |

Listings

cULus Listed

Specifications

| | |
|-----------------|-----------------------------|
| Material | Polycarbonate thermoplastic |
| Thickness | .25 (6.4) |
| Orientation | Orientation |
| Mounting | Screw |
| Mounting Screws | Painted steel |
| Dimensions | 4.94 in x 3.15 in x 0.25 in |
| Flammability | UL 94 V2 |



Dimensions in Inches (mm)

Bryant Electric • An affiliate of Hubbell Incorporated (Delaware) • 40 Waterview Drive • Shelton, CT 06484
Phone (800) 323-2792 • Specifications subject to change without notice