

Countertop Receptacles

20A 125v Tamper-Resistant Pop-Up Counter Receptacle

BRYANT®

Features

- Spill water tested
- Permanent installation ready (suitable for MC cable or non-metallic sheath cable)
- Push down to pop-up function is rated for a minimum of 10,000 cycles
- Easy installation - simply drop in and tighten

Ordering Information

Description	Finish	UPC Number	Surface Mount
20A 125V Tamper-Resistant Pop-Up Kitchen Counter Receptacle	Brushed	883778309472	RCT220ALU

Color/Material

Aluminum

Listings

UL and cULus listed to UL498, Section 146

Specifications

Cover and Flange	Die Cast Aluminum
Main Body	Engineered Thermoplastic PBT
Wiring Chamber	Die Cast Aluminum
Water Seals	Elastomers and Silicon

Performance

Electrical	
Configuration	20 amp 125 volt, Tamper Resistant Receptacle

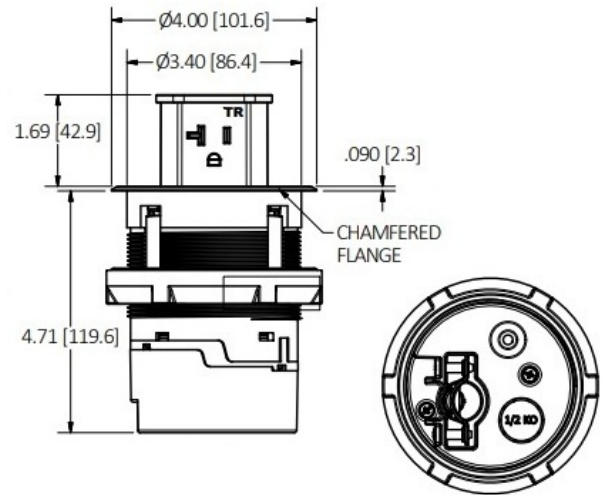
Circuit Rating	20 amp non-feed through
Dielectric Voltage	Withstands 2,000V minimum

Mechanical

Terminal Accommodation	#12 AWG copper stranded or solid conductor only
Terminal Identification	Terminals identified in accordance with UL 498 and CSA

Environmental

Flammability	UL 94V-2
Operating Temperature	Maximum continuous 75°C, minimum -40°C (w/o impact)



Online Resources

Customer Use Drawing
eCatalog
Installation Instructions

Dimensions in Inches (mm)

Bryant Electric • An affiliate of Hubbell Incorporated (Delaware) • 40 Waterview Drive • Shelton, CT 06484

Phone (800) 323-2792 • Specifications subject to change without notice