

## Countertop Receptacles

### 20A 125v Tamper-Resistant Pop-Up Counter Receptacle

# BRYANT®

#### Features

- Spill water tested
- Permanent installation ready (suitable for MC cable or non-metallic sheath cable)
- Push down to pop-up function is rated for a minimum of 10,000 cycles
- Easy installation - simply drop in and tighten

#### Ordering Information

Description	Finish	UPC Number	Surface Mount
20A 125V Tamper-Resistant Pop-Up Kitchen Counter Receptacle	Brushed	883778309526	RCT220NI

#### Color/Material

Nickel

#### Listings

UL and cULus listed to UL498, Section 146

#### Specifications

Cover and Flange	Die Cast Aluminum
Main Body	Engineered Thermoplastic PBT
Wiring Chamber	Die Cast Aluminum
Water Seals	Elastomers and Silicon

#### Performance

<b>Electrical</b>	
Configuration	20 amp 125 volt, Tamper Resistant Receptacle

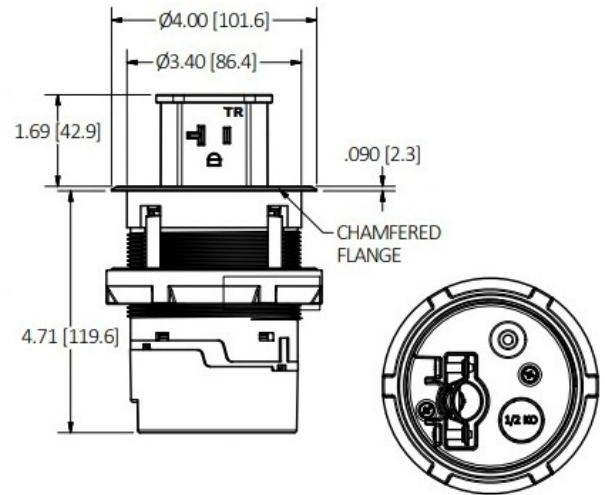
Circuit Rating	20 amp non-feed through
Dielectric Voltage	Withstands 2,000V minimum

#### Mechanical

Terminal Accommodation	#12 AWG copper stranded or solid conductor only
Terminal Identification	Terminals identified in accordance with UL 498 and CSA

#### Environmental

Flammability	UL 94V-2
Operating Temperature	Maximum continuous 75°C, minimum -40°C (w/o impact)



#### Online Resources

Customer Use Drawing  
eCatalog  
Installation Instructions

Dimensions in Inches (mm)

Bryant Electric • An affiliate of Hubbell Incorporated (Delaware) • 40 Waterview Drive • Shelton, CT 06484

Phone (800) 323-2792 • Specifications subject to change without notice