

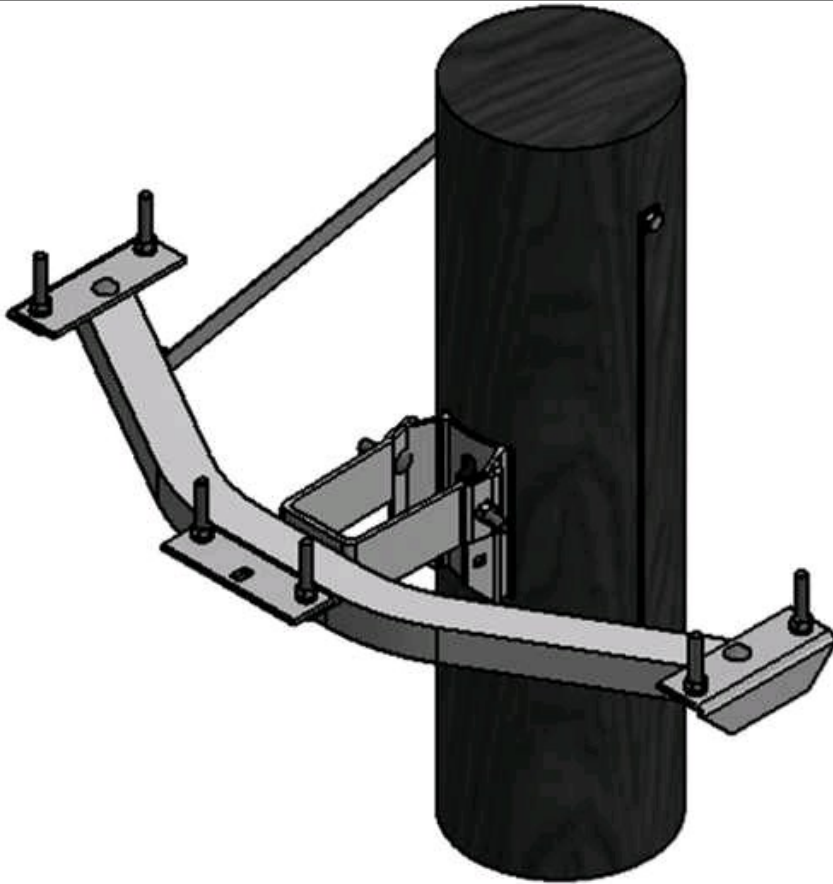
# BT3CA-36

by CMC

Catalog ID: BT3CA-36

Distribution 3 phase equipment bond for mounting cutouts or arrestors

- Braces mount to sides of pole with lag bolts(not supplied)
- High strength 6061-T6 aluminum alloy
- Grounding lugs supplied (standard)
- Completely assembled (standard)
- Hardware hot dipped galvanized



## Product Details

### General

Material	Aluminum Alloy, 6061-T6
Type	Equipment Brackets
UPC	192663124947

### Dimensions

Length	12.5 in
Width	36.00 in