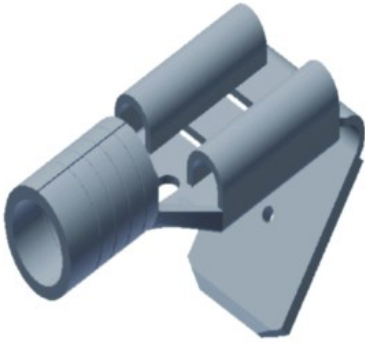


PG1025X03D

by Burndy
Catalog ID: PG1025X03D

Uninsulated Quick Disconnect Piggyback Terminals, #10 - #12 AWG, .89" L, .25" W



Product Details

General

Connector Type	Quick Disconnect Piggyback
Material	Brass
Plated	Y
Plating Type	Tin
Type	Disconnect Connectors
UPC	781810530573
UPC 12 Digit	7818105305733

Dimensions

Dimension - B Length inch	0.27 in
Dimension - Length Overall inch	0.89 in
Dimension - Strip Length inch	3/8 in
Dimension - Width inch	0.25 in
Dimension - Width mm	6 mm

Conductor Related

Conductor Range	#12 AWG to #10 AWG
Conductor Type	<ul style="list-style-type: none"> • CU C Solid-Size • CU C Str-Size

Certifications and Compliance

Certification - CSA Approved	No
Certification - ETL	No
Certification - UL Recognized	No
Certification - cULus	No
Standards - RoHS Compliance Status	UI
UL Listed	No

Logistics

Minimum Pack Quantity	50
-----------------------	----

For further technical assistance, please contact us

BURNDY Headquarters

47 East Industrial Park Drive
Manchester, New Hampshire 03109

Customer Service Hours:

8 AM - 8 PM Eastern Monday-Friday
Emergency Service 24-hours/365 Days
Phone: 1-800-346-4175
1-603-647-5299 (International)