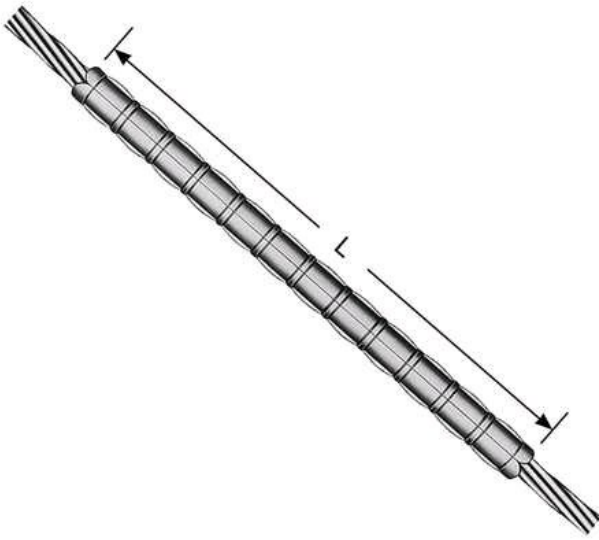


YCU2CA

by Burndy
Catalog ID: YCU2CA

Prop 65 Notice

Cast aluminum repair sleeve for restoring conductivity to damaged conductor.



Product Details

General

Connector Type	Sleeve
Die Index	163
Material	Aluminum
Plated	N
Plating Type	Unplated
Prefilled Oxide Inhibitor	Y
UPC	621945470002
UPC 12 Digit	781810014967

Dimensions

Dimension - L Length Overall mm	194 mm
Dimension - Length Overall inch	7.62 in

Conductor Related

Conductor - ACAR Str Size	2 (7) AWG
Conductor - ACAR Str Size Range	2 (7) AWG
Conductor - ACSR Cmpt Size	2 AWG
Conductor - ACSR Cmpt Size Range	2 AWG
Conductor - AL Str Size	2 AWG
Conductor - AL Str Size Range	2 AWG

Certifications and Compliance

Certification - CSA Approved	No
Certification - UL Recognized	No
Certification - cULus	No

Standards - RoHS Compliance Status

CM

Logistics

Minimum Pack Quantity

12

For further technical assistance, please contact us

BURNDY Headquarters

47 East Industrial Park Drive
Manchester, New Hampshire 03109

Customer Service Hours:

8 AM - 8 PM Eastern Monday-Friday
Emergency Service 24-hours/365 Days
Phone: 1-800-346-4175
1-603-647-5299 (International)