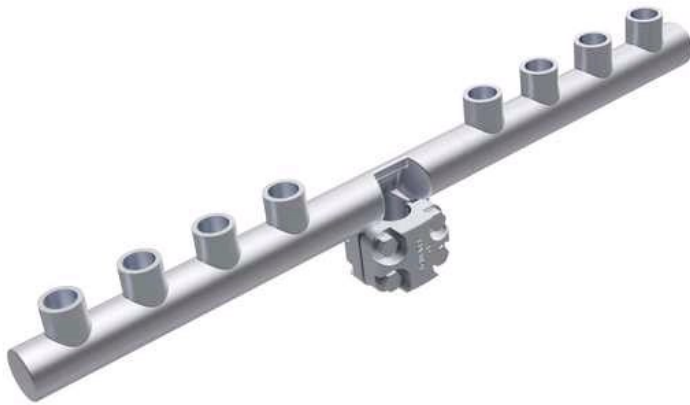


## ZMDN625

by Burndy  
Catalog ID: ZMDN625

Prop 65 Notice

STUD MOLE ASSY



## Product Details

### General

Connector Type	Mole
Insulation	Y
Insulation Type	Diatex
Material	Diatex
Number Of Outlets	6
UPC	781810056684
UPC 12 Digit	7818100566844

### Dimensions

Dimension - B Length fraction	3-1/4 in
Dimension - B Length inch	3.25 in
Dimension - Height fraction	8-5/8 in
Dimension - Height inch	8.63 in
Dimension - Length Overall inch	22 in
Dimension - Pad Width inch	3.5 in
Dimension - Width inch	3.44 in

### Conductor Related

Conductor - Copper Str Size	6 AWG;5 AWG;4 AWG;3 AWG;2 AWG;1 AWG;1/0 ;2/0 AWG;3/0 AWG;4/0 AWG;250 kcmil;300 kcmil;350 kcmil;400 kcmil;450 kcmil;500 kcmil;550 kcmil;600 kcmil
Conductor - Copper Str Size Range	6 AWG-600 kcmil

### Certifications and Compliance

Certification - CSA Approved	No
Certification - ETL	No
Certification - UL Recognized	No

Certification - cULus	No
Standards - RoHS Compliance Status	EX
UL Listed	No

## Logistics

Minimum Pack Quantity	3
-----------------------	---

**For further technical assistance, please contact us**

**BURNDY Headquarters**

47 East Industrial Park Drive  
Manchester, New Hampshire 03109

**Customer Service Hours:**

8 AM - 8 PM Eastern Monday-Friday  
Emergency Service 24-hours/365 Days  
Phone: 1-800-346-4175  
1-603-647-5299 (International)